

**MIG**  
**Glass Thickness Gauge**  
**MODEL# MG1500**  
**MADE IN THE USA**



**GENERAL DESCRIPTION**

The MIG (Manual IG Thickness Gauge) is a durable tool used to measure glass and air space thickness in sealed insulating glass units. Laser reflections off the surfaces of glass are used to determine the thickness of glass, as well as the air space separating the pieces of glass in a sealed IG assembly. The readings are taken from a single side of the IG unit and no additional tools are necessary.

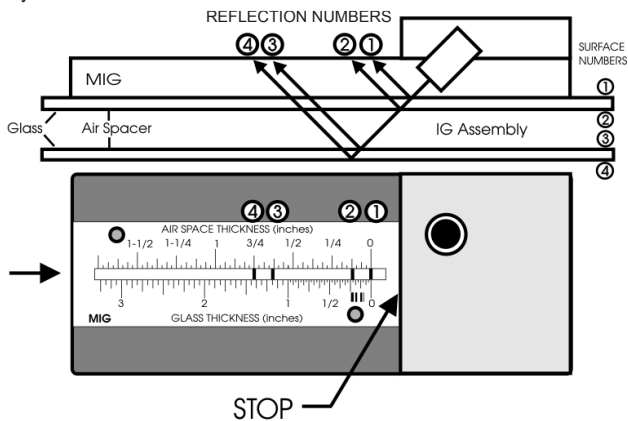
Durable scales are interchangeable on the sliding assembly. The multiple scales are held in place by two black, nylon thumb screws. Due to the scales thin size, the operator can carry numerous scales inside the carrying case and always be prepared for any glass application experienced in the field or factory. The scales are printed in Metric (mm) on one side, and Imperial (inches) on the back side.

The operator can easily measure glass thickness, air space, overall IG thickness, individual panes of glass in a laminated assembly, bullet resistant and triple pane assemblies. The gauge also has been successfully tested for measuring thickness of mirrors and other transparent materials.

The MIG is powered by two standard AAA alkaline batteries (included). Two (2) spare thumb screws are included with each gauge. The black nylon carrying case supplied with the gauge provides a handy method for carriage.

**ZERO ALIGNMENT**

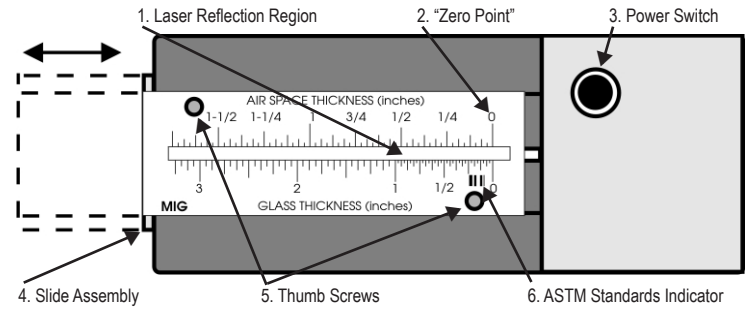
The two thumb screws are used to position the scales correctly on the slide assembly. For ease of use, when the slide is pushed completely in (against the stop), the scales should be positioned so the first reflection (1) will be aligned with the "0" gradient lines. The laser reflections will appear to be slightly wider than the scale lines. Position the scale lines in the center of the laser beam reflection. All scale readings will be made from the center of the laser beam reflections. Be sure to inspect the top surface of the slide assembly to make sure it is free of dirt and debris.



To align the scale, push the slide assembly completely in (against the stop). Place the gauge on a piece of flat glass and push the power button. Loosen both thumb screws and position the scale so the center of the first laser reflection (1) aligns with the "0" gradient. DO NOT move the entire slide assembly, only the scale itself. Once you have positioned the scale to your satisfaction, tighten the thumb screw in the lower right corner. After tightening this screw, verify that the zero point is still aligned. If not, readjust the scale. Before tightening the screw in the upper left corner, verify the laser reflections are centered on the viewing area. Also, before tightening the upper left screw, apply pressure on the center of the scale. This will verify that the scale is resting flatly against the slide assembly.

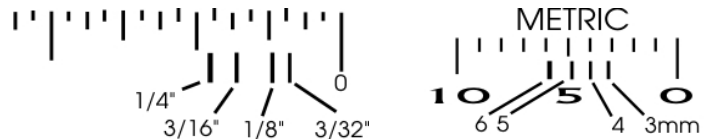
Each time you switch to a new scale, it will be necessary to realign the "zero point". The additional scales for the gauge are included in the carry case.

**DESCRIPTION OF PARTS**



- 1. Laser Reflection Region:** When the laser is energized, the laser beams that reflect off the glass surfaces will appear in this laser reflection region.
- 2. "Zero Point":** The zero point must be aligned with the first laser reflection prior to taking glass thickness readings. All new units are shipped from the factory with the zero point already aligned. If the zero point is out of alignment or if the operator is changing scales, follow the instructions under "Zero Alignment".
- 3. Power Switch:** Prior to energizing the laser, be aware of your surroundings. The laser will exit the gauge from the back side. **DO NOT LOOK DIRECTLY INTO THE LASER BEAM AND NEVER POINT THE LASER BEAM IN THE DIRECTION OF ANOTHER PERSON.** To turn on the laser, simply push and hold down the power button. The laser will activate instantly.
- 4. Slide Assembly:** The slide assembly holds the calibrated scale in place and allows the operator to move the zero point left and right while taking readings. While taking readings, the slide assembly starts in the fully inserted (against the stop) position. After measuring the first lite of glass, the entire slide assembly is slid to the left to measure the air space and subsequent lites of glass.
- 5. Thumb Screws:** The thumb screws are used to align the scale with the zero point as well as to hold the scale in place. The thumb screws also provide a handy method of grasping the slide in order to move it left and right. Two (2) spare thumb screws are included in the carry case.
- 6. ASTM Standards Indicator:** As you become more fluent with the gauge, you will begin to realize the benefits of the ASTM standards indicator. ASTM standards dictate the acceptable tolerances in the various glass thickness ranges. A table is printed on page 3 of this operating manual for your reference. The four lines on the scale represent the thickness ranges of the four most common glass thicknesses used in North America: 3/32"(SS), 1/8"(DS), 3/16", and 1/4". These designations are represented on the scale respectively from right to left, as illustrated below. As you become more fluent in the operation of the gauge, you may be able to overlook the scale graduations and look directly at the ASTM range designations to expedite the measuring process. PLEASE NOTE, the actual glass thickness you measure, can be less than the traditional designations used by the ASTM standard range. For example, notice that traditional 1/4" glass is actually closer to 7/32" in thickness.

**ASTM Standards Indicator:**





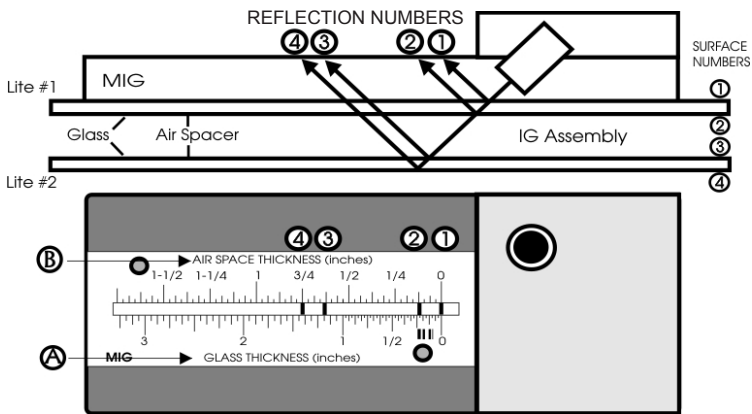
Glass, Window & Film Test Equipment

**KEEP THE COMPETITIVE  
 EDGE WITH PRODUCTS  
 FROM EDTM, INC.**

745 Capital Commons Drive  
 Toledo, Ohio 43615 USA  
 PHONE: (419) 861-1030  
 FAX: (419) 861-1031  
 www.EDTM.com  
 Email: sales@edtm.com

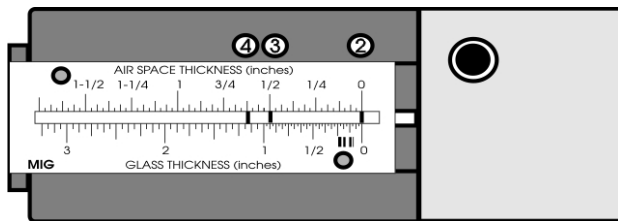
glass & air space laser meters,  
 tempered glass detectors, SHGC,  
 solar, visible, & uv meters Low-  
 E-type detectors, 4 point sheet  
 resistance meters, tin side de-  
 tectors, self-clean coating de-  
 tectors, sales kits, temperature  
 guns & sales kit accessories

## GLASS THICKNESS & AIR SPACE MEASUREMENT: IG UNITS



### GLASS THICKNESS MEASUREMENT (LITE #1)

The bottom scale (Reference point "A") is used for measuring the glass thickness while the top scale (Reference point "B") is used for measuring the air space. Please note that the scales are different. DO NOT attempt to use the wrong scale for your measurement. The best method of measurement is to work your way through the IG assembly. In other words, measure the thickness of lite #1 first, then read the air space, and finally read the thickness of lite #2. To begin, verify that reflection 1 is aligned with your "zero point". Reflection 1 represents the top surface of the first piece of glass, while reflection 2 represents the bottom of the first piece of glass. Once the zero point is aligned, you can take your measurement. The distance between reflection 1 and 2 is the thickness of the first lite of glass, as measured on the GLASS THICKNESS scale. The example shows a glass thickness of approximately 7/32". Regarding the ASTM standards indicator, please note this falls into the acceptable range for 1/4" glass thickness.

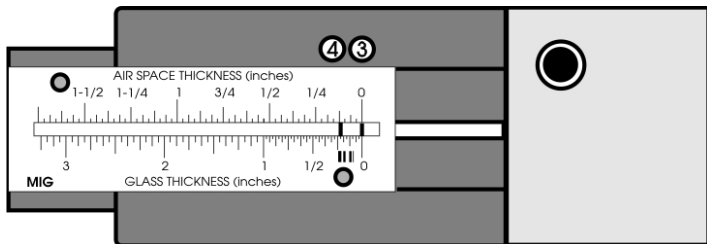


### AIR SPACE MEASUREMENT

To measure the air space, slide the entire slide assembly scale to the left and align reflection 2 with the zero point. Once aligned, you can now measure the air space thickness using the top scale. Reflection 3 represents the top surface of the second lite of glass. The distance between reflection 2 and 3 represents the air space, as indicated on the AIR SPACE THICKNESS scale. The example shows an air space of approximately 1/2 inch.

### WARNING!

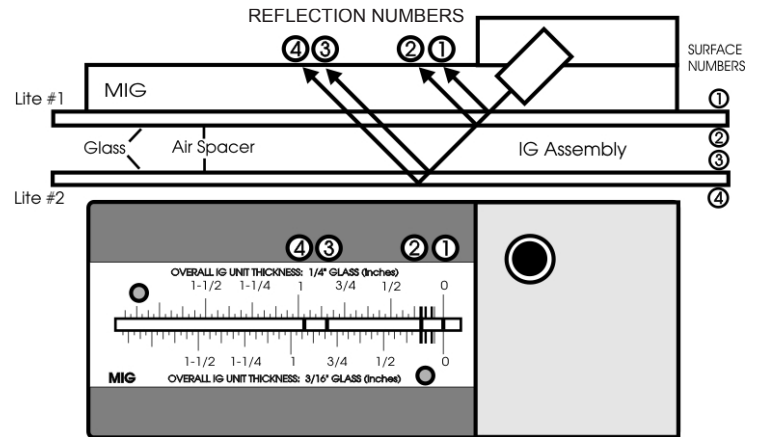
For the most accurate measurement of air space thickness, the operator should take readings near the edge of the IG assembly. Be aware that many IG units may sag inward or bow outward due to air pressure differences inside the window as opposed to the outside atmospheric pressure. If a window deflects inward or outward, the air space thickness in the center of the IG unit will differ from the thickness near the edge. The least amount of deflection will occur near the edges of the glass near the spacer bar. Please note, this is also a great method to check IG units for deflection in production as well as in the field.



### GLASS THICKNESS MEASUREMENT (LITE #2)

To measure the glass thickness of the second lite of glass, slide the entire slide assembly to the left again, so that the "zero point" is lined up with reflection 3. Reflection 4 represents the bottom surface of the second lite of glass. The distance between reflection 3 and 4 is the glass thickness of the second lite of glass. Be sure to use the "GLASS THICKNESS" scale when measuring glass thickness.

## OVERALL IG UNIT THICKNESS MEASUREMENT



To use the Overall IG Unit Thickness scales, the operator must first verify the glass thickness that is in the IG unit. To test this, the operator may use the glass and air space thickness scale, or use the ASTM standards indicator which is located on both the top and bottom of the Overall IG Unit Thickness scales. To use this, simply align the zero point as described previously. Using the ASTM indicators, measure the thickness of both lites of glass in the IG assembly. To use the overall thickness scales, both lites of glass must be in the same thickness designation. In other words, if you have an IG assembly with a 3/16" pane for lite 1 and a 1/4" pane for lite 2, you CAN NOT use this scale. Both lites must be the same thickness.

To measure the overall IG unit thickness, align the zero point. Verify that the glass thickness of the IG unit matches the scale you have installed on the gauge slide. Using the correct thickness scale, measure the distance between reflection 1 and reflection 4. This is the overall IG unit thickness for the assembly being tested.

The example above illustrates an IG unit constructed of 1/4" lites of glass. The overall thickness of the IG unit is 31/32", as measured on the OVERALL IG UNIT THICKNESS scale for 1/4" glass.

## APPLICATIONS

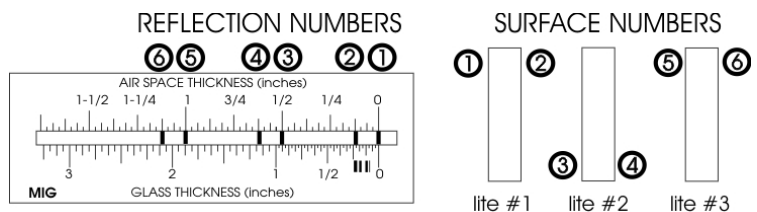
This gauge has been successfully tested on a variety of glass combinations. The following list includes the various types of glass that have been tested successfully: Single pane float glass, IG units (double, triple & quadruple glaze++), clear, Low-E, tempered, reflective, bronzed, tinted, laminated, bullet-proof, mirrors, plus others. The following explanations define the most common applications.

### Single Pane Float Glass & IG Units

See "Glass Thickness & Air Space Measurement: IG units".

### Triple Glazed IG Units

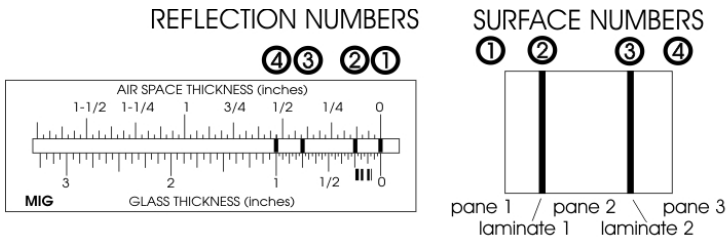
Triple glazed IG units are measured in the same manner as the double glazed IG units. The only difference will be two extra laser reflections. These two extra reflections represent the third lite of glass. The distance between reflection 4 and 5 is the second air space (between lite 2 and lite 3), as measured on the Air Space Scale. The distance between reflection 5 and 6 corresponds to the glass thickness of lite 3. Be sure to use the Glass Thickness scale for this measurement.



### Laminated Glass & Bullet Resistant Glass

Bullet resistant and laminated glass are measured in like manners. Use only the Glass Thickness scale for these measurements. A faint laser reflection will occur at each laminate substrate. This allows you to measure the thickness of each piece of glass in the laminated assembly, as well as the overall thickness of the laminated assembly. The distance between reflection 1 and 2 is the thickness of pane 1. The distance between 2 and 3 is the thickness of pane 2. The distance between 3 and 4 represents the thickness of pane 3. The distance between reflection 1 and 4 will yield the overall thickness of the laminated assembly. All of these measurements use the Glass Thickness Scale. The illustration shows two pieces of 1/4" glass laminated on both sides of a 1/2" piece of glass. The overall thickness of the laminated assembly is 1". If the regular scale does not show the laminate inner-layers, you can switch to the scale labeled "FOR LAMINATED OR BRIGHT

SUNLIGHT". This scale is helpful for viewing the faint laminate inner-layer reflections. When using this scale, you will need to tilt your head at a 45 degree angle to view the reflections.



**Mirrors and Reflective Glass**

This gauge is capable of measuring mirror thickness as well as standard reflective glass used in the window industry. It is recommended that the user test the gauge on various reflective surfaces prior to use in the field. This will help the user to better understand the capabilities of the product.

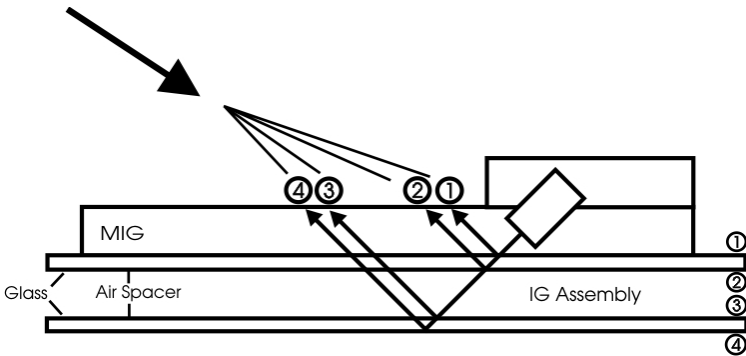
For mirrors and single panes of reflective glass, it is recommended that the user take readings from the reflective side of the glass. Readings from the non-reflective side will cause additional stray reflections to occur, that may appear confusing. Readings from the reflective side will reduce the stray reflections and allow for easier glass thickness measurement. Due to the intensity of the laser reflection off the reflective surface (surface 1), the second reflection (surface 2) will appear weaker than normal.

For insulating units containing reflective glass, again it is recommended to take measurements from the reflective side of the IG unit. In other words, place the gauge on the lite of glass that has the reflective coating. It is possible to take readings on the side of the IG unit containing the non-reflective lite of glass, however additional stray reflections may occur. Again, it is important that the user test various reflective surfaces to achieve a better understanding of the laser reflections.

**OPERATING CONDITIONS**

**FLATNESS:** Prior to every reading, verify the gauge is resting flatly against the glass surface. Do not tilt the gauge or place any items under the gauge when taking readings. Tilting the gauge in any way will adversely affect the accuracy of the readings.

**BRIGHT LIGHT ENVIRONMENTS:** This gauge will allow the operator to take measurements in nearly all light conditions. If the operator is working in extreme bright light, cupping your hand over the scale can help improve the contrast of the laser on the scale. If shadowing the scale area does not work well enough, there is a scale that is designed specifically for bright light situations. Apply the scale that is labeled "FOR LAMINATED OR BRIGHT SUNLIGHT". With this scale in place, it will be necessary to view the laser reflections in the same plane as the reflections. In other words, move your head to view the reflections at a 45 degree angle, as shown in the following illustration. The laser reflections should appear brighter with this scale.



**SAFETY PRECAUTIONS AND MAINTENANCE**

When not in use, the MIG and all scales should be kept in the carrying case for protection.

It is imperative that the bottom surface of the gauge is kept clean and free of any debris. Any build-up on the bottom surface can cause the gauge to rock and/or not sit flat against the glass, causing incorrect readings. Therefore routinely inspect and clean the bottom surface of the gauge.



This product emits a laser beam from the back side. DO NOT point the laser at any ones eyes. ALWAYS check the other side of the window being tested to ensure that no one will be looking directly into the laser.

On reflective glass and mirrors, be aware that a significant portion of the laser intensity is reflected back in the direction of the sliding scale. If the slide assembly is pulled out significantly, the scale and slide assembly will no longer block the reflection of the laser off the first (reflective) surface.

The MIG is powered by 2 AAA alkaline batteries. If the laser stops operating, replace the batteries with alkalines. To access the batteries, remove the four screws located on the top surface of the gauge. Do not touch the laser or any other items found inside the cover. Replace the batteries and refasten the cover. Be sure to install the batteries correctly (polarity +/-). Installing the batteries backwards may cause permanent damage to the laser and will not be covered by the product warranty.

AMERICAN SOCIETY FOR TESTING AND MATERIALS (ASTM) Tolerance specifications for flat glass						
TRADITIONAL DESIGNATION	DESIGNATION		TOLERANCE			
	mm	inches	mm min.	mm max.	inches min.	inches max.
3/32 in. (single)	2.5	0.09	2.16	2.57	0.085	0.101
1/8 in. (double)	3.0	0.12	2.92	3.40	0.115	0.134
5/32 in.	4.0	0.16	3.78	4.19	0.149	0.165
3/16 in.	5.0	0.19	4.57	5.05	0.180	0.199
7/32 in.	5.5	0.21	5.08	5.54	0.200	0.218
1/4 in.	6.0	0.23	5.56	6.20	0.219	0.244
5/16 in.	8.0	0.32	7.42	8.43	0.292	0.332
3/8 in.	10.0	0.39	9.02	10.31	0.355	0.406

**WARRANTY**

The manufacturer warrants all models of the MG1500 to be free from defects in material and workmanship under normal use and service as specified within the operator's manual. The manufacturer shall repair or replace the unit within one (1) year from the original date of shipment after the unit is returned to the manufacturer's factory, prepaid by the user, and the unit is disclosed to the manufacturer's satisfaction, to be thus defective. This warranty shall not apply to any unit that has been repaired or altered other than by the manufacturer. The aforementioned provisions do not extend the original warranty period of the unit which has been repaired or replaced by the manufacturer. Batteries are not covered by warranty.

The manufacturer assumes no liability for the consequential damages of any kind through the use or misuse of the MG1500 product by the purchaser or others. No other obligations or liabilities are expressed or implied. All damage or liability claims will be limited to an amount equal to the sale price of the MG1500, as established by the manufacturer.

# PACHOMÈTRE "MIG"

pour Mesurer L'épaisseur des Vitrages  
 MODÈLE N° MG1500  
 FABRIQUÉ AUX ÉTATS-UNIS D'AMÉRIQUE



## DESCRIPTION GÉNÉRALE :

Le pachomètre "MIG" est un outil utilisé pour mesurer l'épaisseur des verres et de la lame d'air dans les doubles vitrages isolants. C'est la réflexion d'un rayon laser sur les surfaces de verre qui permet de déterminer l'épaisseur des verres, ainsi que de l'espace de l'air qui sépare les vitres composant le double vitrage. La lecture se fait d'un seul côté du vitrage, et aucun autre outil n'est nécessaire.

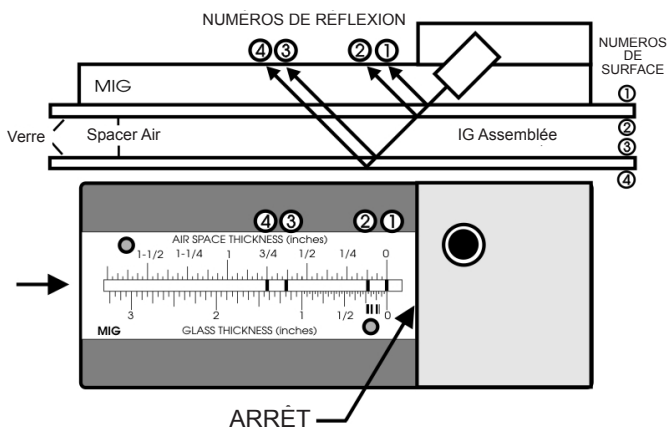
Des réglettes coulissantes interchangeable sont fournies avec l'appareil. Elles sont tenues en place par des vis en nylon. Leur faible épaisseur facilite leur rangement dans l'étui du pachomètre, permettant ainsi d'avoir en permanence sous la main les outils nécessaires pour la mesure d'un vitrage isolant à l'usine ou sur un chantier.

Le pachomètre permet la mesure, en une seule lecture, de l'épaisseur du verre, de l'épaisseur de la lame d'air, de l'épaisseur totale des vitrages isolants et de l'épaisseur de chaque composant dans le cas de vitrages feuilletés ou triples. Il peut également être utilisé pour mesurer l'épaisseur des miroirs.

Le pachomètre MIG fonctionne grâce à deux piles AAA alcalines standard incluses. Deux vis de réglage de rechange sont également fournies avec l'appareil. L'étui de rangement en nylon noir facilite le transport et permet le rangement des réglettes supplémentaires.

## ALIGNEMENT A ZÉRO

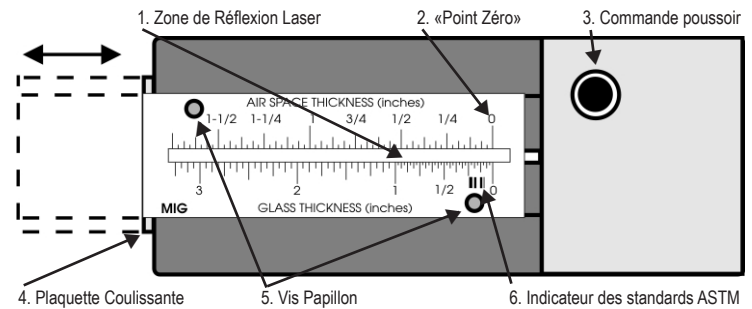
Les deux vis papillon sont utilisées pour aligner les réglettes correctement sur le support coulissant. Si le pachomètre est correctement calibré, la réflexion du laser coïncide avec la graduation zéro de la réglette lorsque la plaquette coulissante est en butée. Comme la réflexion du rayon laser est légèrement plus large que les graduations positionner la graduation à zéro au centre de la réflexion du laser. La lecture des épaisseurs doit également se faire au centre du rayon. S'assurer que la surface supérieure de la plaquette coulissante est propre et sans poussière.



Pour aligner la réglette, pousser la plaquette coulissante en butée. Poser le pachomètre sur une vitre et actionner le bouton poussoir. Desserrer les vis papillon puis aligner la première réflexion (1) du rayon laser avec le point zéro sur la réglette. NE PAS déplacer la plaquette coulissante, uniquement la réglette. Une fois que la réglette est alignée, serrer la vis papillon qui se trouve en bas à droite. Avant de serrer la vis papillon en haut à gauche, vérifier que la réflexion du rayon laser est bien toujours en face du point zéro de la réglette et appuyer au centre de celle-ci pour la plaquer parfaitement contre la plaquette coulissante.

Il est nécessaire d'aligner le point zéro lors de chaque changement de réglette. Les réglettes supplémentaires sont dans la poche à fermeture éclair de la housse du pachomètre.

## DESCRIPTION DES PIÈCES



- 1. Zone de Réflexion Laser:** Quand le laser est activé, des rayons laser qui se réfléchissent sur la surface du verre apparaissent dans cette zone.
- 2. «Point Zéro»:** Le laser doit impérativement être aligné à zéro avant la première utilisation. Les pachomètres MIG sont alignés à zéro en usine, mais il est nécessaire de les ré-aligner en cas de dérèglement ou de changement de réglette. Voir les instructions au chapitre «Alignement à Zéro».
- 3. Commande Poussoir:** Avant de charger le laser, attention à l'entourage. Le rayon du laser sortira du côté arrière du pachomètre. NE PAS REGARDER DIRECTEMENT LE RAYON DU LASER ET NE JAMAIS TOURNER LE RAYON DU LASER VERS QUELQU'UN. Pour mettre en marche le laser, appuyer sur le bouton poussoir.
- 4. Plaquette Coulissante:** La plaquette coulissante supporte la réglette amovible et permet de déplacer le point zéro à droite et à gauche pour faciliter la lecture. Au début d'une prise de mesures, la plaquette coulissante doit être en butée. Après lecture de la première épaisseur de verre, la plaquette coulissante est déplacée vers la gauche pour permettre de mesurer l'épaisseur du vide d'air et les épaisseurs de verre suivantes.
- 5. Vis Papillon:** Les vis papillon sont utilisées pour aligner la plaquette coulissante au point zéro et tenir la réglette en place. Elles sont aussi pratiques pour manipuler la plaquette coulissante et la faire glisser vers la droite ou la gauche. Deux vis papillon supplémentaires sont incluses dans la poche à fermeture éclair de l'étui.
- 6. Indicateur des Standards ASTM:** L'utilité de cette réglette sera évidente à l'usage. Elle permet de vérifier le respect des tolérances ASTM. Les standards ASTM prescrivent les tolérances acceptables en ce qui concerne l'épaisseur du verre. Une table de référence se trouve au verso de ce manuel. Les quatre lignes sur l'échelle représentent les gammes d'épaisseur des épaisseurs les plus communes utilisées en Amérique du nord: 3/32" (SS), 1/8" (DS), 3/16", et 1/4". Ces désignations figurent sous la graduation, de droite à gauche. Au fur et à mesure qu'on devient familier avec l'opération du calibre, on pourra lire directement les désignations de la gamme ASTM pour faciliter la procédure de mesure. REMARQUE: L'épaisseur de verre qu'on mesure peut être inférieure aux désignations traditionnelles dans la gamme des standards ASTM. Par exemple, le verre traditionnel 1/4" est en réalité plus près de l'épaisseur 7/32".

## Indicateur des Standards ASTM:

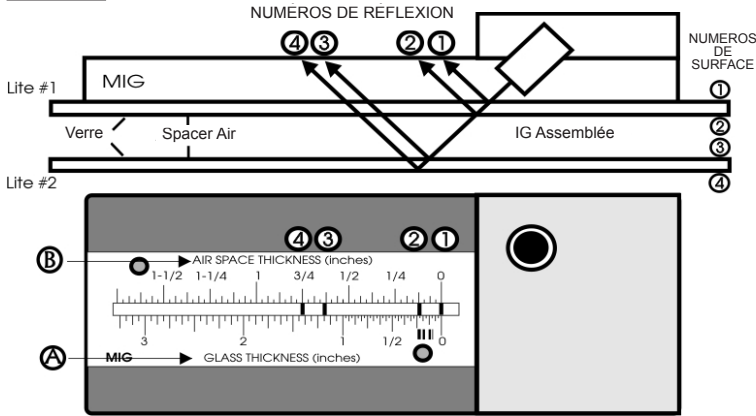


**CONSERVEZ UNE LONGUEUR  
 D'AVANCE SUR LA  
 CONCURRENCE GRÂCE AUX  
 PRODUITS D'EDTM, INC.**

745 Capital Commons Drive  
 Toledo, Ohio 43615 USA  
 TÉLÉPHONE: (419) 861-1030  
 TÉLÉCOPIE: (419) 861-1031  
 www.EDTM.com  
 Courriel: sales@edtm.com

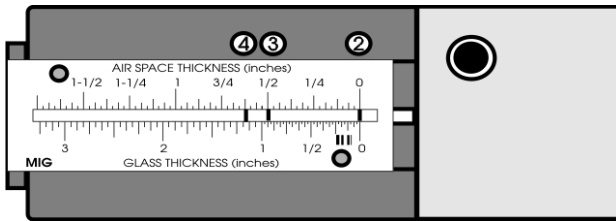
Mesureurs laser de verre et lame d'air, détecteurs de verre trempé, détecteurs de revêtement à faible émissivité avec mesure de fsg, lumière solaire, visible et UV, mesureur de résistivité par méthode 4 points, détecteurs de face étain, détecteurs de revêtement autonettoyant, kits de vente, pistolet de mesure de température et accessoires de kits de vente.

## MESURE DE L'ÉPAISSEUR DES VERRES ET DE L'ESPACE D'AIR: VITRAGES ISOLANTS



### MESURE DE L'ÉPAISSEUR DU VERRE (VERRE 1)

L'échelle inférieure (point de référence "A") est utilisée pour mesurer l'épaisseur du verre tandis que l'échelle supérieure (point de référence "B") est utilisée pour mesurer l'espace d'air. ATTENTION: les échelles sont différentes. NE PAS UTILISER l'échelle incorrecte pour mesurer. La meilleure façon de mesurer c'est de mesurer l'épaisseur de la première réflexion (verre 1), puis noter l'espace d'air, puis finalement noter l'épaisseur de la deuxième réflexion (verre 2). Pour commencer, vérifiez l'alignement de la réflexion 1 avec "le point zéro". La réflexion 1 représente la surface supérieure de la première vitre, tandis que la réflexion 2 représente la partie inférieure de la première vitre. Une fois que le point zéro est aligné, on peut mesurer. La distance entre la réflexion 1 et la réflexion 2 constitue l'épaisseur de la première surface de verre, et se lit directement sur l'échelle «A». L'exemple montre l'épaisseur de verre à 7/32". Remarque que selon l'indicateur des standards ASTM, cette épaisseur se place dans la zone acceptable pour le verre d'épaisseur nominale 1/4".

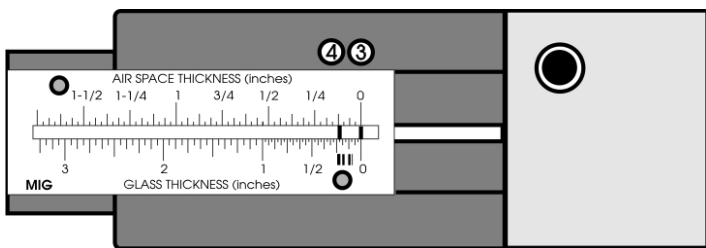


### MESURE DE LA LAME D'AIR

Pour mesurer la lame d'air, faire glisser la plaquette coulissante vers la gauche pour aligner la réflexion 2 avec le point zéro. Une fois alignée, on peut mesurer l'épaisseur de l'espace d'air en utilisant l'échelle supérieure. La réflexion 3 représente la surface supérieure de la deuxième vitre. La distance entre la réflexion 2 et la réflexion 3 représente l'espace d'air, selon l'échelle de l'épaisseur de l'espace d'air «B». L'exemple montre l'épaisseur de l'espace d'air à 1/2".

### ATTENTION!

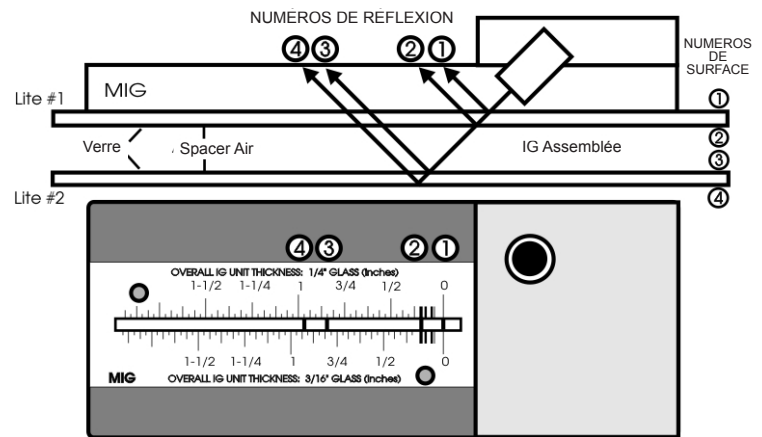
Pour une mesure la plus exacte de l'épaisseur de la lame d'air, placer le pachomètre à proximité du bord du vitrage. Les vitrages isolants ont en effet tendance à se « bomber » ou se « creuser » en fonction des variations de pression atmosphériques ambiantes. Lorsque les vitrages se bombent vers l'intérieur ou l'extérieur, l'épaisseur de la lame d'air est affectée. La déflexion minimale aura lieu sur les bords du vitrage. Noter que cette caractéristique permet de tester et mesurer les éventuelles déflexions de vitrages isolants en usine ou sur site.



### MESURE DE L'ÉPAISSEUR DU VERRE (VERRE 2)

Pour mesurer l'épaisseur du deuxième verre, faire glisser la plaquette coulissante encore vers la gauche jusqu'à aligner la réflexion 3 avec "le point zéro". La réflexion 4 représente la surface inférieure (en bas) de la deuxième vitre. La distance entre la réflexion 3 et la réflexion 4 constitue l'épaisseur de verre de la deuxième vitre. Attention de bien utiliser L'ÉCHELLE DE L'ÉPAISSEUR DE VERRE pour mesurer l'épaisseur du verre.

## MESURE DE L'ÉPAISSEUR TOTALE DU VITRAGE ISOLANT



Avant d'utiliser une règle de mesure d'épaisseur totale d'un vitrage isolant, il est nécessaire de mesurer les épaisseurs des vitrages qui le constituent. Pour ce faire, utiliser la règle et les instructions du chapitre correspondant ci-dessus ou l'indicateur des standards ASTM qui se trouve sur les règles d'épaisseur totale. A l'aide des repères ASTM, mesurer l'épaisseur des vitres du vitrage isolant après avoir aligné la règle à zéro. On ne peut mesurer l'épaisseur totale d'un vitrage isolant que si le vitrage le composant sont de la même catégorie d'épaisseur. Par exemple, si on a un vitrage isolant avec une vitre 1 d'épaisseur 3/16" et une vitre 2 d'épaisseur 1/4", ON NE PEUT PAS UTILISER cette règle. Les deux vitres doivent avoir la même épaisseur.!

Pour mesurer l'épaisseur totale du vitrage isolant, commencer par aligner le point zéro. Vérifier que l'épaisseur du verre du vitrage isolant correspond avec la règle que l'on a installée sur l'appareil. En utilisant la règle de l'épaisseur correcte, mesurer la distance entre la réflexion 1 et la réflexion 4. C'est l'épaisseur totale du vitrage isolant testé.

L'exemple ci-dessus montre un vitrage isolant en verre d'épaisseur 1/4". L'épaisseur totale du vitrage isolant est de 31/32", comme l'indique la lecture de l'échelle de L'ÉPAISSEUR TOTALE D'UN VITRAGE ISOLANT pour le verre d'épaisseur 1/4".

## APPLICATIONS

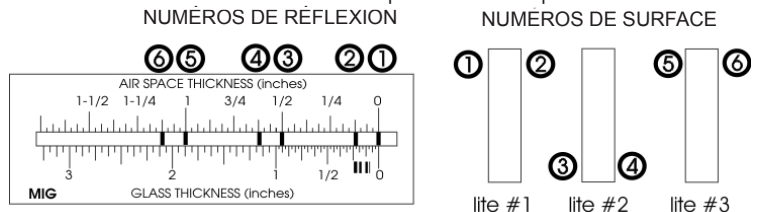
Le pachomètre MIG a été testé avec succès sur une variété de vitrages spéciaux dont: simple vitrage, vitrages isolants doubles triples et quadruples, clair, faible émissivité, trempé, réfléchissant, teinté, filmé, feuilleté, pare-balles, miroir, etc. Les explications suivantes définissent les applications les plus communes.

### Verre Recuit Simple & Vitrages Isolants

Voir "Mesure de l'épaisseur du Verre et de la Lame D'air."

### Triples Vitrages Isolants

Les triples vitrages isolants sont mesurés selon la même technique que les doubles vitrages, avec pour seule différence l'apparition des deux réflexions supplémentaires du rayon laser. Ces deux réflexions supplémentaires représentent la troisième vitre. La distance entre les réflexions 4 et 5 est la deuxième lame d'air (entre la vitre 2 et la vitre 3), à mesurer sur l'échelle de lame d'air. La distance entre les réflexions 5 et 6 correspond à l'épaisseur de la vitre 3. Bien utiliser l'échelle de l'épaisseur de verre pour cette mesure.



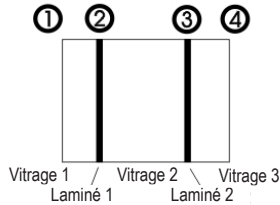
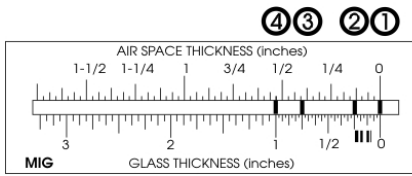
### Verre Feuilleté et Verre Pare-balles

Vitrages feuilletés et pare-balles sont mesurés selon la même procédure, à l'aide de la règle de mesure de l'épaisseur de verre. Une réflexion laser apparaît à chaque surface intercalaire, ce qui permet de mesurer l'épaisseur de chaque composant dans l'assemblage, ainsi que l'épaisseur totale du vitrage. La distance entre les réflexions 1 et 2 est l'épaisseur de la vitre 1. La distance entre 2 et 3 est l'épaisseur de la vitre 2. La distance entre 3 et 4 représente l'épaisseur de la vitre 3. La distance entre les réflexions 1 et 4 donnera l'épaisseur totale de l'assemblage. Utiliser l'échelle de l'épaisseur de verre pour toutes ces mesures. Dans l'illustration on voit un verre feuilleté composé de deux vitres de 1/4" autour d'une vitre de 1/2". L'épaisseur totale de cet assemblage est 1". Si le barème normal ne montre pas le stratifié intérieur des couches, vous pouvez passer à l'échelle portant la mention «pour le soleil LAMINE OU BRIGHT». Cette échelle est utile pour

visualiser les faibles stratifié intérieur de la couche réflexions. Lorsque vous utilisez cette échelle, vous devrez incliner votre tête à un angle de 45 degrés pour voir les réflexions.

**NUMÉROS DE RÉFLEXION**

**NUMEROS DE SURFACE**



**Miroirs et Verre Réfléchissant**

Le pachomètre MIG peut mesurer l'épaisseur des miroirs ainsi que celle des verres réfléchissants. Il est conseillé de bien se familiariser avec ce type d'utilisation avant de tenter de faire des relevés sur le terrain, afin de mieux profiter de ses possibilités.

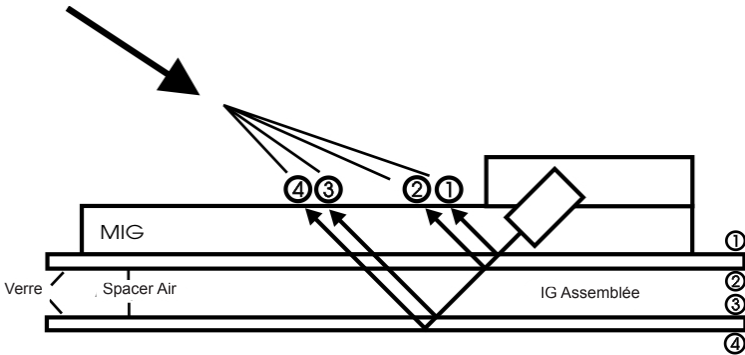
Pour les miroirs et le verre réfléchissant simple, il sera plus simple de procéder à la mesure sur la face réfléchissante du vitrage. Une lecture sur la face non-réfléchissante causera des réflexions laser parasites qui peuvent induire en erreur. La mesure du côté réfléchissant permet d'éviter les réflexions parasites et facilite ainsi la lecture. A cause de l'intensité de la réflexion laser sur la surface réfléchissante (surface 1), la deuxième réflexion (surface 2) apparaîtra plus faible que normal.

Dans le cas de vitrages isolants qui comprennent une face réfléchissante, il est également recommandé de procéder à la lecture par la face qui comprend un verre réfléchissant. Placer le pachomètre MIG sur la vitre qui contient la surface réfléchissante. Les mesures sont également lisibles par l'autre face, mais les réflexions parasites rendent l'opération plus délicate. Une fois de plus, il est important de se familiariser avec la manipulation de cet outil avant d'en faire l'utilisation à l'extérieur.

**CONDITIONS D'UTILISATION**

**ASPECT PLAT:** Avant de noter les indications, vérifier que le pachomètre est bien plaqué contre la surface de verre. Ne pas l'incliner ou placer des objets sous l'appareil, car cela peut modifier l'exactitude des indications.

**ENVIRONNEMENTS ÉBLOUISSANTS:** Le pachomètre MIG est lisible dans toutes les conditions d'éclairage. Dans un environnement extrêmement éblouissant, la lecture des mesures sera plus facile si l'on se met dans le même plan que les réflexions. Comme l'indique le schéma ci-dessous, il suffit de se placer pour regarder les réflexions à 45°. Lorsque la source de lumière est derrière vous, il est efficace de faire de l'ombre sur l'appareil avec la main. L'ombre ainsi projetée rendra les réflexions du rayon laser plus visibles.



**PRÉCAUTIONS DE SÉCURITÉ ET ENTRETIEN**

Stocker le pachomètre et ses règles dans leur housse de protection.

Il est essentiel que la surface inférieure du pachomètre reste parfaitement propre, car toute accumulation de poussière peut modifier le placement de l'appareil sur le verre et mener à de fausses indications. Il est donc indispensable de vérifier et nettoyer régulièrement la surface inférieure du pachomètre.



Cet instrument produit un rayon laser du côté arrière. **NE JAMAIS TOURNER LE LASER VERS QUELQU'UN. VÉRIFIER TOUJOURS l'autre côté du verre en cours d'inspection pour s'assurer que personne ne regarde directement vers le laser.**

Noter qu'en cas de verre réfléchissant et de miroirs une portion importante de l'intensité du laser se réfléchit dans la direction du support coulissant. Bien vérifier donc que le support coulissant est en place pour bloquer la réflexion du laser venant de la surface réfléchissante.

Le pachomètre MIG fonctionne à l'aide de deux piles AAA alcalines. Si le laser ne fonctionne plus, remplacer les piles avec des piles alcalines. Pour accéder aux piles, enlever les quatre vis qui se trouvent à la surface supérieure de l'appareil. Ne pas toucher le laser ou d'autres éléments qui se trouvent à l'intérieur. Remplacer les piles et refermer le couvercle avec les vis. Vérifier le placement correct des piles, car leur mauvais placement peut endommager le laser, annulant ainsi la garantie.

AMERICAN SOCIETY FOR TESTING AND MATERIALS (ASTM)						
Spécifications de tolérance pour verre plat						
TRADITIONNEL DÉSIGNATION	DÉSIGNATION		TOLÉRANCE			
	mm	pouces	mm min.	mm max.	pouces min.	pouces max.
3/32 po. (simple)	2,5	0,09	2,16	2,57	0,085	0,101
1/8 po. (double)	3,0	0,12	2,92	3,40	0,115	0,134
5/32 po.	4,0	0,16	3,78	4,19	0,149	0,165
3/16 po.	5,0	0,19	4,57	5,05	0,180	0,199
7/32 po.	5,5	0,21	5,08	5,54	0,200	0,218
1/4 po.	6,0	0,23	5,56	6,20	0,219	0,244
5/16 po.	8,0	0,32	7,42	8,43	0,292	0,332
3/8 po.	10,0	0,39	9,02	10,31	0,355	0,406

**GARANTIE**

Le fabricant garantit tous les modèles du pachomètre MG 1500 contre les défauts de fabrication et de fonctionnement sous l'usage normal selon les spécifications trouvées dans le manuel d'utilisation. Le fabricant réparera ou remplacera tout appareil défectueux pendant un an suivant la date d'expédition d'origine. En cas de problème, renvoyer l'appareil défectueux à l'usine, aux frais de l'expéditeur. Cette garantie ne s'applique pas à tout instrument qui a été réparé ou modifié par autre que le fabricant. La période de garantie d'origine n'est pas prolongée en cas de remplacement ou réparation par le fabricant. Les piles ne sont pas couvertes par la garantie.

Le fabricant ne saurait être responsable des dégâts indirects de tout type suite à une utilisation ou une mauvaise utilisation du pachomètre MG 1500 par l'acquéreur ou un tiers. Aucune autre obligation ni responsabilité n'est clairement ou explicitement exprimée. Toutes poursuites en dommages-intérêts seront limitées à un montant égal au prix de vente du pachomètre MG 1500, le fabricant l'aura déterminé.

# “MIG” GLASSTÄRKEN

Glas Stärkenmessgerät  
 MODELLNR. MG1500  
 HERGESTELLT IN DEN USA



## ALLGEMEINE BESCHREIBUNG:

Das MIG (Manuelles Isolierglas Stärkenmessgerät) ist ein widerstandsfähiges Gerät, welches dazu benutzt wird, die Stärke von Glas und von Luftzwischenräumen in geschlossenen Isoliergläsern zu messen. Laserreflexionen von der Glasoberfläche werden benutzt, um die Stärke/Dicke des Glases zu bestimmen und ebenso die Stärke des Luftzwischenraums, der die Glasstücke in einer geschlossenen IG-Anlage trennt. Die Messergebnisse werden von einer Seite des Isolierglases gewonnen, und keine zusätzlichen Werkzeuge sind notwendig.

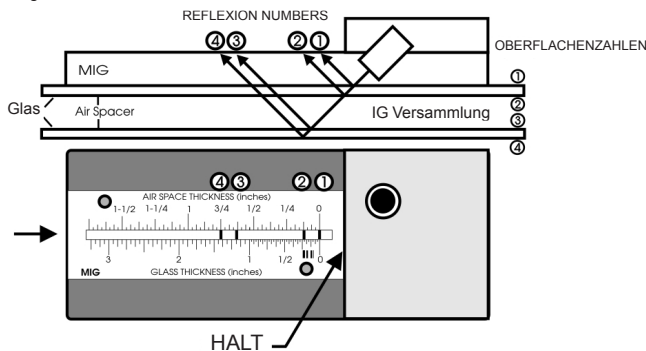
Widerstandsfähige Skalen(Messschienen) können auf dem Skalenschieber ausgewechselt werden. Die Skalen werden von zwei schwarzen Nylon-schrauben festgehalten. Dank der Dünne der Skalen kann der Benutzer viele Skalen in der Tragtasche aufbewahren und jederzeit für jede Glasart bereit sein, der er in der Produktion oder beim Kunden findet.

Der Benutzer kann sehr leicht die Dicke des Glases, den Luftzwischenraum, die gesamte Stärke eines Isolierglas, einfach Glas, Verbundsicherheitsglas und Dreifachiso-Elemente messen. Das Messgerät wurde auch erfolgreich für die Messung von Spiegeln getestet.

Das MIG benötigt zwei normale AAA Alkalibatterien (inbegriffen). Zwei Reserveschrauben sind jedem Messgerät beigegeben. Die schwarze Nylon-tasche, die mit dem Messgerät zur Verfügung gestellt wird, ermöglicht es, die Skalen sehr praktisch zu transportieren. Der Reißverschlussbeutel ist für das Tragen weiterer Skalen und des zusätzlichen Schrauben-sackes ideal.

## NULLPUNKTABSTIMMUNG

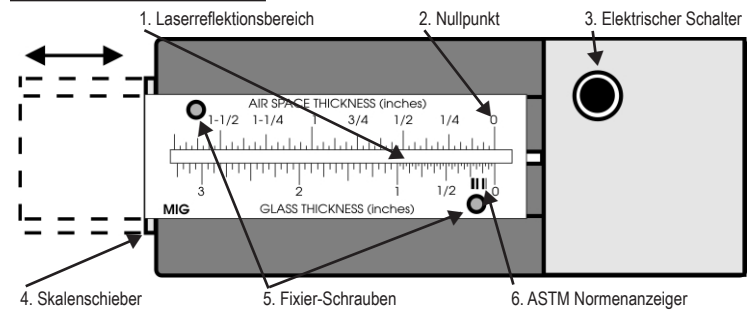
Die beiden Fixierschrauben werden dazu benutzt, die Skalen korrekt auf dem Skalenschieber zu positionieren. Um den Gebrauch zu erleichtern, wenn der Skalenschieber ganz (hin) eingeschoben ist (gegen den Stoppunkt), sollten die Skalen so ausgerichtet sein, dass sich die erste Reflektion mit dem Nullpunkt in einer Linie befindet. Die Laserreflexionen werden etwas breiter als die Skalenlinien sein. Positionieren Sie die Skalenstriche in das Zentrum der Reflektion des Laserstrahles. Alle Skaleneinstellungen werden im Zentrum der Laserstrahlreflexionen vorgenommen. Kümmern Sie sich unbedingt darum, die Oberseite des Skalenschiebers zu untersuchen, um sicherzustellen, dass sich kein Schmutz oder andere Ablagerungen darauf befinden.



Um die Skala abzustimmen, schieben Sie den Skalenschieber ganz hinein (bis Sie and den Stoppunkt anstoßen). Stellen Sie das Messgerät auf ein flaches Stück Glas und drücken Sie den elektrischen Schalter. Lockern Sie beide Schrauben und positionieren Sie die Skala so, dass sich das Zentrum der ersten Reflektion (1) mit dem Nullpunktstrich in einer Linie befindet. BEWEGEN SIE AUF KEINEN FALL das ganze Messgerät, sondern nur die Skala. Wenn Sie die Skala zu Ihrer Zufriedenheit positioniert haben, ziehen Sie die Schraube in der unteren rechten Ecke an. Nachdem Sie die Schraube angezogen haben, vergewissern Sie sich, dass der Nullpunkt noch immer abgestimmt ist. Sollte dies nicht der Fall sein, korrigieren Sie zuerst wieder die Position der Skala. Bevor Sie die Schraube in der linken oberen Ecke anziehen, vergewissern Sie sich, dass die Laserreflexionen auf das Beobachtungsfeld konzentriert sind. Ausserdem, bevor Sie die linke obere Schraube anziehen, üben Sie Druck auf das Zentrum der Skala aus. Dadurch stellen Sie fest, ob die Skala flach auf dem Skalenschieber ruht.

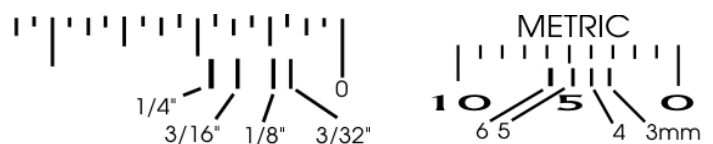
Jedesmal, wenn Sie eine neue Skala einlegen, ist es notwendig, den Nullpunkt neu abzustimmen. Die zusätzlichen Skalen für das Messgerät finden Sie inbegriffen, im Reißverschlussbeutel der Tragtasche.

## BESCHREIBUNG DER TEILE



1. Laserreflektionsbereich: Wenn der Laser eingeschaltet ist, erscheinen die Laserstrahlen, die von der Glasoberfläche reflektiert werden, in diesem Reflektionsfeld.
2. Nullpunkt: Der Nullpunkt muss mit der ersten Laserreflektion abgestimmt werden, bevor die Messungen der Glasstärke durchgeführt werden können. Alle neuen Messgeräte werden bereits abgestimmt mit dem Nullpunkt ausgesandt. Wenn der Nullpunkt nicht ausgerichtet ist, oder wenn der Benutzer Skalen auswechselt, folgen Sie den Anleitungen unter "Nullpunktabstimmung."
3. Elektrischer Schalter: Bevor Sie den Laser einschalten, seien Sie sich Ihrer Umgebung bewusst. Der Laser verlässt das Messgerät von der Rückseite. BLICKEN SIE UNTER KEINEN UMSTÄNDEN DIREKT IN DEN LASERSTRAHL UND RICHTEN SIE DEN LASER NIE AUF EINE ANDERE PERSON. Um den Laser einzuschalten, drücken Sie einfach den Schalter und halten Sie ihn nieder. Der Laser wird sich sofort aktivieren.
4. Skalenschieber: Der Skalenschieber hält die genormte Skala fest und erlaubt dem Benutzer, den Nullpunkt während der Messungen nach links und rechts zu bewegen. Wenn die Messungen vorgenommen werden, ruht der Skalenschieber zuerst in vollkommen (hin)eingeschobener Position (an der Stoppunktposition). Nach der Messung der ersten Glasschicht/-scheibe wird der Skalenschieber nach links geschoben, um den Luftzwischenraum und die nachfolgenden Glasschichten zu messen.
5. Fixier-Schrauben: Die Schrauben werden dazu benutzt, die Skala mit dem Nullpunkt abzustimmen und auch dazu, die Skala festzuhalten. Die Schrauben erlauben es auch sehr gut, den Skalenschieber zu halten, um ihn nach links und rechts zu schieben. Zwei Reserveschrauben sind im Reißverschlussbeutel der Tragtasche mit enthalten.
6. ASTM Normenanzeiger: Sobald Sie mit dem Messgerät mehr vertraut sind, werden Sie die Vorzüge des ASTM Normenanzeigers erkennen. ASTM Normeinheiten bestimmen akzeptable Toleranzbereiche für mannigfaltige Glasstärken. Eine Tabelle ist auf der Rückseite dieser Gebrauchsanleitung für Sie als Nachweis ausgedruckt. Die vier Linien auf der Skala repräsentieren die Bereiche der vier populärsten Glasstärken, die in Nordamerika benutzt werden: 3/32" (SS), 1/8" (DS), 3/16", and 1/4". Diese Einheiten sind, jede für sich, auf der Skala abgebildet, von rechts nach links, wie es unter diesem Text dargestellt wird. Sobald Sie mehr mit dem Gebrauch dieses Messgerätes vertraut sind, können Sie möglicherweise über die Skaleneinteilungen hinwegsehen und stattdessen direkt auf die ASTM Bereichseinheiten blicken, um den Messvorgang zu beschleunigen. BITTE BEACHTEN SIE, dass die tatsächliche Stärke des Glases, die Sie messen, kleiner sein kann als die traditionellen Einheiten, die im ASTM Normenbereich benutzt werden. Zum Beispiel, beachten Sie, dass traditionelles 1/4" Glas in seiner Stärke tatsächlich näher an 7/32" herankommt.

## ASTM Normenanzeigers





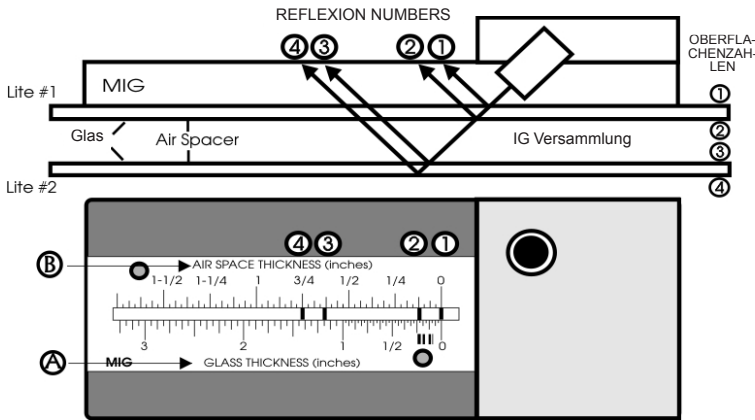
Glass, Window & Film Test Equipment

745 Capital Commons Drive  
 Toledo, Ohio 43615 USA  
 TELEFON: + 1 419 861-1030  
 FAX: + 1 419 861-1031  
 www.EDTM.com  
 Email: sales@edtm.com

**HALTEN SIE DEN  
 WETTBEWERBSVORTEIL  
 MIT PRODUKTEN VON EDM, INC.**

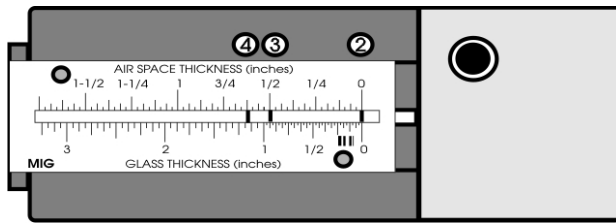
Lasermessgeräte für Glas & Luftraum, Detektoren für gehärtetes Glas, G-Wert, solar, sichtbar, & UV-Messgeräte, Low-E-Typ-Detektoren, 4-Punkt-Flächenresistenz-Messgeräte, Zinnseiten-Detektoren, Detektoren für die Selbstreinigungsbeschichtung, Verkaufssets, Pistolen zur Temperaturmessung & Zubehörsets.

## GLASSTÄRKEN & LUFTZWISCHENRAUMMESSUNG: ISOLIERGLÄSER



### GLASSTÄRKENMESSUNG (SCHICHT#1)

Die untere Hälfte der Skala (siehe A) wird zur Messung der Glasstärke benutzt, während die obere Hälfte der Skala (siehe B) dazu benutzt wird, die Stärke des Luftzwischenraums zu messen. Bitte seien Sie sich klar, dass sich die Skalenhälften voneinander unterscheiden. **ACHTUNG: VERSUCHEN SIE UNTER KEINEN UMSTÄNDEN**, die falsche Skala für Ihre Messungen zu verwenden. Messen Sie zuerst die Stärke der ersten Glasschicht, dann die Stärke des Luftzwischenraums, und schliesslich die Stärke der zweiten Glasschicht. Zu Beginn, vergewissern Sie sich, dass Reflektion 1 mit dem Nullpunkt abgestimmt ist. Reflektion 1 repräsentiert die Oberseite der ersten Glasschicht, während Reflektion 2 die Unterseite der ersten Glasschicht repräsentiert. Wenn der Nullpunkt abgestimmt ist, können Sie Ihre Messung vornehmen. Die Distanz zwischen Reflektion 1 und Reflektion 2 ist die Stärke/Dicke der ersten Glasschicht, ablesbar auf der Glasstärkenskala. Das Beispiel zeigt eine Glasdicke von ungefähr 6 mm. Im Vergleich mit dem ASTM Normenanzeiger können Sie feststellen, dass dieser Wert innerhalb des akzeptablen Bereichs der 6 mm- Glasstärke fällt.

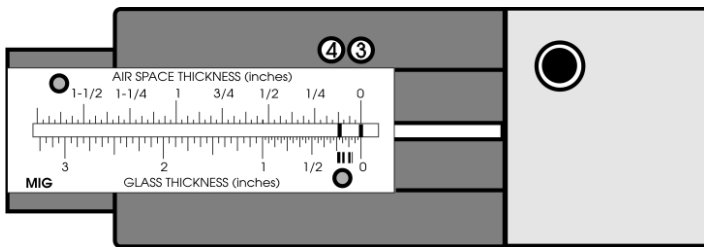


### LUFTZWISCHENRAUMMESSUNG

Um die Stärke/Spanne des Luftzwischenraums zu messen, schieben Sie den Skalenschieber nach links und bringen Sie Reflektion 2 mit dem Nullpunkt in eine Linie. Wenn das sichergestellt ist, dann können Sie jetzt die Stärke des Luftzwischenraums messen, indem Sie die obere Skala benutzen. Reflektion 3 repräsentiert die obere Seite der zweiten Glasschicht. Die Distanz zwischen Reflektion 2 und Reflektion 3 repräsentiert die Stärke des Luftzwischenraums, messbar mittels der Luftzwischenraumskala. Das Beispiel zeigt eine Luftzwischenraumstärke von ungefähr 12 mm.

### WARNUNG!

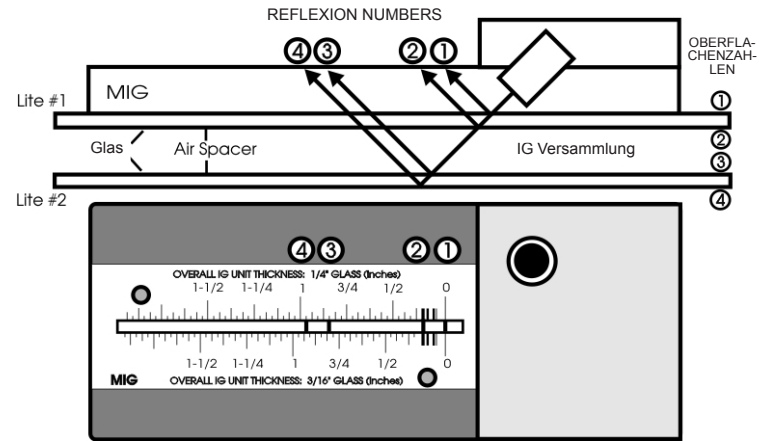
Um die genaueste Messung der Stärke des Luftzwischenraums zu erzielen, soll der Benutzer Messungen nahe der Kante der IG-Anlage vornehmen. Seien Sie sich bewusst, dass sich viele IG-Anlagen nach innen biegen oder nach aussen ausbauchen, aufgrund der Luftdruckunterschiede innerhalb des Fensters im Gegensatz zum atmosphärischen Druck an der Aussenseite. Wenn sich ein Fenster nach innen oder aussen biegt, wird sich die Stärke des Luftzwischenraums im Zentrum der IG-Anlage von der Stärke nahe der Kanten unterscheiden. Die geringste Abweichung erfolgt in der Nähe der Glaskanten nahe des Abstandhalters. Bitte erinnern Sie sich daran, dass dies auch eine grossartige Methode ist, um IG-Anlagen auf Abweichungen hin zu untersuchen, in der Fabrik, oder am Anlagenstandort.



### GLASSTÄRKENMESSUNG (GLASSCHICHT #2)

Um die Stärke der zweiten Glasschicht zu messen, schieben Sie den Skalenschieber wieder nach links, sodass sich der Nullpunkt mit Reflektion 3 in einer Linie befindet. Reflektion 4 stellt die untere Seite der zweiten Glasscheibe dar. Die Distanz zwischen Reflektion 3 und Reflektion 4 ist die Glasstärke der zweiten Glasschicht. Vergewissern Sie sich, dass Sie die GLASSTÄRKENSKALA benutzen, wenn Sie die Glasstärke messen.

## MESSUNG DER STÄRKE DER GESAMTEN IG-ANLAGE



Um die Stärkenskala für gesamte IG-Anlagen benutzen zu können, muss der Benutzer zuerst die Glasstärke verifizieren, die innerhalb der IG-Anlage gegeben ist. Um dies zu testen, kann der Benutzer die Skalen für die Glasstärke und den Luftzwischenraum verwenden, oder den ASTM Normenanzeiger, der sich sowohl auf der oberen als auch auf der unteren Hälfte der Stärkenskala für die gesamte IG-Anlage befindet. Um diese Skala zu benutzen, stimmen Sie einfach den Nullpunkt ab, wie oben beschrieben. Benutzen Sie den ASTM-Anzeiger, um die Stärke beider Glasschichten in der IG-Anlage zu messen. Um die Gesamtstärkenskala benutzen zu können, müssen sich beide Glasschichten im selben Stärkebereich befinden. **Wichtig!** Mit anderen Worten, sollten Sie ein Isolierglas mit einer 5 mm-Scheibe als Schicht 1 haben, und eine 6 mm-Scheibe als Schicht 2, dann können Sie diese Skala NICHT BENUTZEN. Beide Scheiben müssen die gleiche Stärke haben.

Um die Stärke des gesamten Isolierglases zu messen, stimmen Sie zuerst den Nullpunkt ab. Vergewissern Sie sich, dass die Glasstärke der IG-Anlage mit der Skala, die Sie benutzen, übereinstimmt, die Sie auf dem Skalenschieber installiert haben. Wenn Sie die richtige Skala eingelegt haben, dann messen Sie die Distanz zwischen Reflektion 1 und Reflektion 4. Dieser Wert stellt die gesamte Stärke des Elementes.

Das obige Beispiel zeigt ein Isolierglas, hergestellt mit 6 mm-Glasscheiben. Die gesamte Stärke des Isolierglases ist 24 mm, gemessen mit der Stärkenskala für das gesamte ISO-Element, hergestellt mit 6 mm-Glasscheiben.

### ANWENDUNGSBEREICHE

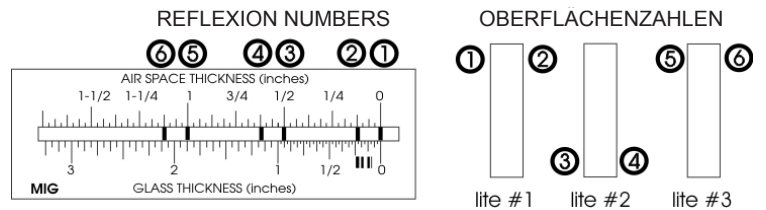
Dieses Messgerät wurde erfolgreich an einer ganzen Reihe von Glaskonstruktionen getestet. Die folgende Liste beinhaltet die verschiedenen Arten von Glas, die erfolgreich getestet wurden:

#### Einzelnscheiben-(float) glas & Isolierglas

Sehen "Glasstärken & Luftzwischenraummessungen".

#### Dreifach Isolierglas

Dreifach Isolierglas wird auf dieselbe Weise gemessen wie die zweifach Isolierglas. Der einzige Unterschied besteht in zwei zusätzlichen Laserreflektionen. Diese zwei Extra-Reflektionen repräsentieren die dritte Glasscheibe. Die Distanz zwischen Reflektion 4 und Reflektion 5 ist der Wert für die Stärke des zweiten Luftzwischenraums (zwischen Scheibe 2 und Scheibe 3), gemessen mit Hilfe der Skala für die Stärke des Luftzwischenraums. Die Distanz zwischen Reflektion 5 und Reflektion 6 entspricht der Glasstärke der dritten Scheibe. Achten Sie darauf, die Glasstärkenskala zu verwenden.

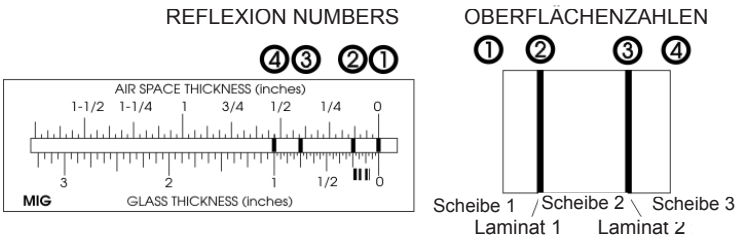


#### Verbundsicherheitsglas (VSG) und Brandschutzglas

VSG Glas und Brandschutzglas werden auf gleiche Weise gemessen. Benutzen Sie nur die Glasstärkenskala für die Messungen. Eine Laserreflektion wird es für jede einzelne Unterteilung des Rauchglases geben. Das erlaubt Ihnen, die Stärke jedes Glasteiles im Brandschutzglas zu messen, und ebenso die gesamte Stärke der Brandschutzverglasung. Die Distanz zwischen Reflektion 1 und Reflektion 2 ist die Stärke von Scheibe 1. Die Distanz zwischen Reflektion 2 und Reflektion 3 ist die Stärke von Scheibe 2. Die Distanz zwischen Reflektion 1 und Reflektion 4 gibt die gesamte Stärke der Rauchglasanlage an. Alle diese Messungen beruhen auf der Glasstärkenskala. Die Illustration zeigt zwei Glasscheiben von 6 mm Dicke, befestigt auf beiden Seiten eines 13 mm Glasstückes. Die Stärke des gesamten Brandschutzzelementes misst 25 mm. Wenn der reguläre Maßstab nicht zeigt die innere Laminat-Schichten, können Sie auf der Skala markierten Schalter „für LAMINIERTE oder hellem Sonnen-



licht.“ Diese Skala ist hilfreich, um sich die schwache innere Laminat-Schicht Reflexionen. Bei Anwendung dieser Tabelle, müssen Sie Ihren Kopf in einem 45 Grad Winkel kippen, um die Reflexionen zu sehen.



**Spiegel und Reflektierendes Glas**

Dieses Messgerät vermag die Stärke von Spiegeln und ebenso die Stärke von Float- zu messen. Es wird empfohlen, dass der Benutzer das Messgerät an verschiedenen reflektierenden Oberflächen testet, bevor es am Standort angewendet wird. Dies wird dem Benutzer helfen, die Anwendungsmöglichkeiten dieses Gerätes besser zu verstehen.

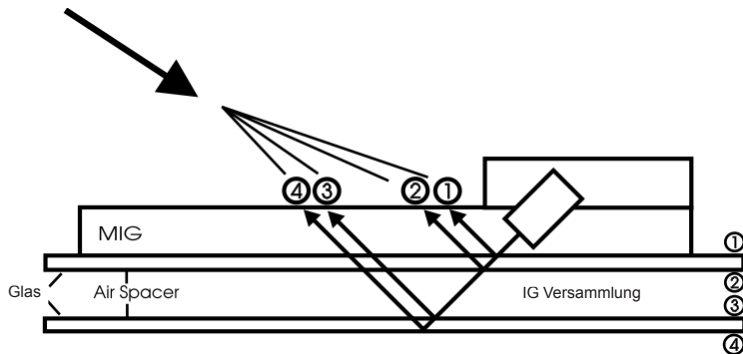
Für Spiegel und beschichtete Einzelglasscheiben wird empfohlen, dass der Nutzer die Werte von der reflektierenden Seite des Glases abliest. Ablesungen von der nicht-reflektierenden Seite des Glases verursachen zusätzliche verstreute Reflexionen, die den Nutzer verwirren können. Ablesungen an der reflektierenden Seite des Glases vermindern die verstreuten Reflexionen und erlauben eine leichtere Messung der Glasstärke. Wegen der Intensität der Laserreflexion von der reflektierenden Fläche (Oberfläche 1) wird die zweite Reflexion (Oberfläche 2) schwächer als normal erscheinen.

Für Isolierglas, das reflektierend beschichtetes Glas beinhaltet, wird wiederum empfohlen, die Messungen von der reflektierenden Seite des Iso-Elements vorzunehmen. Mit anderen Worten, stellen Sie das Messgerät auf die Glasscheibe, welche die reflektierende Oberfläche hat. Es ist zwar möglich, Werte von der Seite des ISO-Elements zu bekommen, die das nicht-reflektierende Glas enthält, aber zusätzliche verstreute Reflexionen können vorkommen. Noch einmal, es ist wichtig, dass der Nutzer mehrere verschiedene reflektierende Oberflächen testet, um ein besseres Verständnis für die Laserreflexionen zu erlangen.

**GEBRAUCHSBEDINGUNGEN**

**PLANITÄT:** Vor jeder Messung, verifizieren Sie, dass das Messgerät flach auf der Glasoberfläche ruht. Sehen Sie unbedingt davon ab, das Gerät zu neigen, oder Gegenstände unter dem Gerät zu erlauben, wenn Sie Messungen vornehmen. Das Neigen des Messgerätes auf irgendwelche Weise wird die Genauigkeit der Messungen negativ beeinflussen.

**HELLE UMGEBUNG:** Dieses Messgerät erlaubt dem Benutzer, Messungen unter nahezu allen Lichtbedingungen durchzuführen. Sollte der Nutzer in extrem hellem Licht arbeiten, kann es ihm/ihr helfen, die Laserreflexionen in derselben Ebene wie die Reflexionen zu beobachten. Mit anderen Worten, positionieren Sie Ihren Kopf so, dass Sie die Reflexionen in einem Winkel von 45 Grad beobachten können, wie es in der folgenden Illustration gezeigt wird. Es ist auch hilfreich, Ihre Hand über der Skala hohl zu machen, sollte die Lichtquelle hinter Ihnen sein. Das Blockieren der Lichtquelle bereitet einen Schattenbereich, was die Laserreflexionen besser sichtbar macht.



**SICHERHEITSVORKEHRUNGEN UND WARTUNG**

Wenn nicht in Betrieb, sollen das MIG und alle Skalen zum Schutz in der Tragtasche aufbewahrt werden.

Es ist absolut notwendig, dass die Oberfläche des Messgerätes sauber und frei von Ablagerungen gehalten wird. Jede Verschmutzung auf der Unterseite kann dazu beitragen, dass das Messgerät verschoben wird, und/oder dass es nicht flach auf dem Glas sitzt, und somit unkorrekte Messungen zustande kommen. Aus diesem Grund sollen Sie die Unterseite des Messgerätes routinemäßig inspizieren und reinigen.



Dieses Produkt sendet einen Laserstrahl von der Rückseite aus. Richten Sie den Laser unter keinen Umständen in die Augen irgendwelcher Personen. Überprüfen Sie IMMER die andere Seite des Fensters, welches getestet wird, um sicherzustellen, dass niemand direkt in den Laser blickt.

Seien Sie sich bewusst, dass von reflektierendem Glas und Spiegeln ein signifikanter Anteil der Laserintensität in die Richtung des Skalenschiebers zurückreflektiert wird. Sollte der Skalenschieber beträchtlich herausgezogen sein, werden die Skalen und der Skalenschieber die Laserreflexionen von der ersten reflektierenden Fläche nicht mehr blockieren.

Das MIG wird von zwei AAA Alkali-Batterien angetrieben. Wenn sich der Laser nicht mehr aktiviert, wechseln Sie die Batterien aus (mit Alkalis). Um zu den Batterien zu gelangen, entfernen Sie die vier Schrauben auf der Oberseite des Messgerätes. Berühren Sie nicht den Laser oder irgendwelche andere Bestandteile innerhalb des Schutzdeckels. Wechseln Sie die Batterien aus und schrauben Sie den Deckel wieder fest. Stellen Sie sicher, dass die Batterien korrekt installiert sind (Polarität +/-). Sollten Sie die Batterien verkehrt installieren, könnte der Laser permanent beschädigt werden, und das würde nicht unter die Produktgarantie fallen.

AMERIKANISCHE GESELLSCHAFT FÜR TESTS UND MATERIALIEN (ASTM)						
Toleranzbezeichnungen für Flachglas						
TRADITIONELLE BEZEICHNUNG	BEZEICHNUNG		TOLERANZ			
	mm	Zoll	mm min.	mm max.	Zoll min.	Zoll max.
3/32 po. Einzelglas	2.5	0.09	2.16	2.57	0.085	0.101
1/8 po. Doppelglas	3.0	0.12	2.92	3.40	0.115	0.134
5/32 po.	4.0	0.16	3.78	4.19	0.149	0.165
3/16 po.	5.0	0.19	4.57	5.05	0.180	0.199
7/32 po.	5.5	0.21	5.08	5.54	0.200	0.218
1/4 po.	6.0	0.23	5.56	6.20	0.219	0.244
5/16 po.	8.0	0.32	7.42	8.43	0.292	0.332
3/8 po.	10.0	0.39	9.02	10.31	0.355	0.406

**GARANTIE**

Der Hersteller garantiert, dass alle Modelle des MG1500 frei von Material- und Verarbeitungsdefekten sind, unter normalen Benutzungsbedingungen und normalem Service, wie es in der Gebrauchsanweisung erklärt wird. Der Hersteller wird das Gerät innerhalb eines Jahres reparieren oder austauschen, vom ursprünglichem Datum der Zustellung, nachdem das Gerät zum Hersteller zurückgesandt worden ist, bezahlt vom Benutzer im voraus, und wenn das Gerät zur Zufriedenstellung des Herstellers als defekt ausgewiesen worden ist. Diese Garantie kann nicht auf irgendein Gerät bezogen werden, welches repariert oder geändert wurde, sondern nur auf jenes, das vom Hersteller repariert oder geändert wird. Die oben ausgeführten Bestimmungen verlängern nicht die ursprüngliche Garantieperiode des Gerätes, welches repariert oder vom Hersteller ersetzt wurde. Batterien fallen nicht unter die Garantie.

Der Hersteller übernimmt keine Haftung für jedwede Folgeschäden aufgrund des Gebrauchs oder Missbrauchs des MG1500 durch den Käufer oder Andere. Es werden keine weiteren Verpflichtungen oder Haftungen ausdrücklich oder stillschweigend übernommen. Alle Schäden oder Haftungsansprüche sind, wie von der Hersteller festgelegt, auf einen Betrag in Höhe des Verkaufspreises des MG1500 beschränkt.

# MIG

## Medidor Manual de la Espesura de Vidrio

MODELO # MG1500  
HECHO EN LOS E.E.U.U.



### DESCRIPCIÓN GENERAL

El MIG (medidor manual de IG) es una herramienta durable usada para medir la espesura del vidrio y el espacio de aire en montajes de vidrio aisladores selladas. Las reflexiones del láser de las superficies del vidrio se utilizan para determinar la espesura del vidrio, así como el espacio de aire que separa las hojas de vidrio en un montaje sellado de IG. Las medidas se toman de un solo lado de la unidad de IG y no hay herramientas adicionales necesarias.

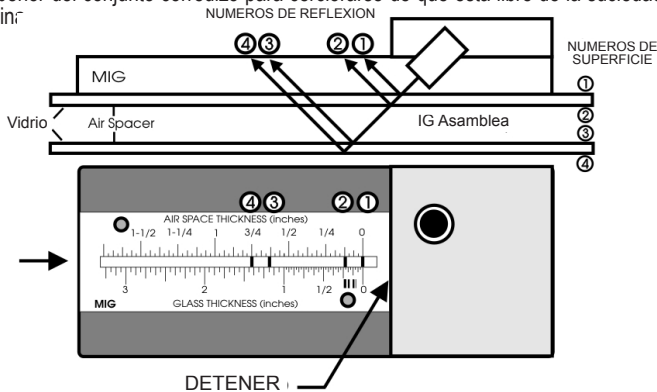
Las escalas durables son intercambiables en el conjunto corredizo. Las escalas múltiples son sostenidas en lugar por medio de dos tornillos de pulgar de nylon. Debido al tamaño y delgadez, el operador puede llevar en el interior del estuche numerosas escalas para quedar preparado para cualquier uso de vidrio que sea en la fabrica o el sitio de trabajo. Las escalas se vienen en métrico (milímetro) en un lado, e imperial (las pulgadas) en el lado trasero.

El operador puede medir fácilmente la espesura del vidrio, el espacio de aire, la espesura total de IG, las hojas individuales de vidrio en una montaje laminada, los montajes antibalza y de triple vidrio. El medidor también es capaz de medir la espesura de espejos y de otros materiales transparentes.

El MIG esta alimentado por medio de dos pilas alcalinas estándares del AAA (incluidos). Dos (2) tornillos de pulgar de repuesto se incluyen con cada instrumento. El estuche de nylon negra proveída con el instrumento le da un método práctico para llevar a.

### ALINEACIÓN AL CERO

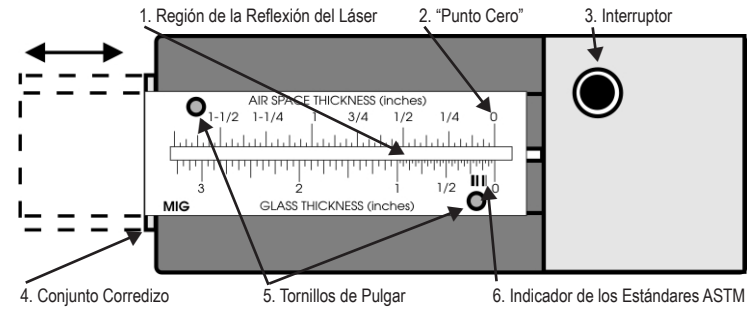
Los dos tornillos de pulgar se utilizan para colocar las escalas correctamente en el conjunto corredizo. Para la facilidad de empleo, cuando el conjunto se empuja totalmente hacia adentro (contra la parada), las escalas deben ser colocadas así que la primera reflexión (1) estará alineada con las líneas de "0" gradientes. Las reflexiones del láser aparecerán ser levemente más anchas que las líneas de la escala. Coloque las líneas de la escala en el centro de la reflexión del rayo láser. Todas los medimientos de escala serán hechas del centro de las reflexiones del rayo láser. Sea seguro examinar la superficie superior del conjunto corredizo para cerciorarse de que está libre de la suciedad y de la ruina:



Para alinear la escala, empuje al conjunto corredizo totalmente hacia adentro (contra la parada). Coloque el instrumento en una hoja de vidrio plano y oprima el botón de la energía. Afloje los tornillos de pulgar y coloque la escala así que el centro de la primera reflexión del láser (1) alinea con los "0" gradientes. No mueva al conjunto corredizo entero, sólo la escala sí mismo. Una vez que usted haya colocado la escala a su satisfacción, apriete el tornillo de pulgar en la esquina derecha más baja. Después de apretar este tornillo, verifique que el punto cero todavía está alineado. Si no, reajuste la escala. Antes de apretar el tornillo en la esquina izquierda superior, verifique que las reflexiones del láser están centradas en el área de la visión. También, antes de apretar el tornillo izquierdo superior, aplique la presión en el centro de la escala. Esto verificará que la escala se esté reclinando plano contra el conjunto corredizo.

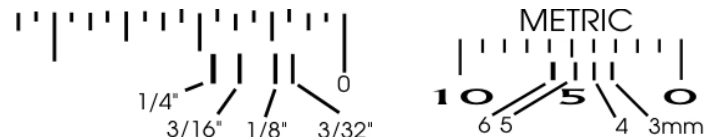
Cada vez que usted cambia a una escala nueva, será necesario realinear el "punto cero". Las escalas adicionales para el instrumento se incluyen en el estuche.

### DESCRIPCIÓN DE LAS PIEZAS



- 1. Región de la Reflexión del Láser:** Cuando se energiza el láser, los rayos láser que reflejan de las superficies del vidrio aparecerán en esta región de la reflexión del láser.
- 2. "Punto Cero":** El punto cero se debe alinear con la primera reflexión del láser antes de tomar las medidas de la espesura del vidrio. Todas las nuevas montajes se envían de la fábrica con el punto cero alineado. Si el punto cero está fuera de alineación o si el operador está cambiando escalas, siga las instrucciones bajo "alineación al cero".
- 3. Interruptor:** Antes de energizar el láser, esté enterado de sus alrededores. El láser saldrá de el instrumentó del lado trasero. **NO MIRE DIRECTAMENTE EN EL RAYO LÁSER Y NI NUNCA SEÑALE EL RAYO LÁSER EN LA DIRECCIÓN DE OTRA PERSONA.** Para girar el láser, simplemente empuje y mantenga el botón de la energía. El láser activará inmediatamente.
- 4. Conjunto Corredizo:** El conjunto corredizo mantiene la escala calibrada en lugar y permite que el operador mueva el punto cero a la izquierda y a la derecha mientras que toma medidas. Mientras que toma medidas, el conjunto corredizo comienza en (contra la parada) la posición completamente insertada. Después de medir la primera hoja del cristal, resbala al conjunto corredizo entero hacia la izquierda para medir el espacio de aire y las hojas subsecuentes de vidrio.
- 5. Tornillos de Pulgar:** Los tornillos de pulgar se utilizan para alinear la escala con el punto cero así como para sostener la escala en lugar. Los tornillos de pulgar también proporcionan un método práctico de agarrar el conjunto corredizo para moverlo a la izquierda y a la derecha. Dos (2) tornillos de pulgar de repuesto se incluyen en el estuche.
- 6. Indicador de los Estándares de ASTM:** Cuando usted esta mas acomodado con el uso del instrumento, usted comenzará a realizar las ventajas del indicador de los estándares de ASTM. Los estándares de ASTM dictan las tolerancias aceptables en las varias gamas de espesura de vidrio. Una tabla se imprime en la cubierta trasera de este guía de operación para su referencia. Las cuatro líneas en la escala representan las gamas de la espesura de los cuatro espesuras de vidrio mas comunes en Norteamérica: 3/32" (SS), 1/8" (DS), 3/16", y 1/4". Estas designaciones se representan en la escala respectivamente de la derecha hacia la izquierda, según lo ilustrado abajo. Cuando usted esta mas acomodado con el uso del instrumento, usted puede pasar por alto las graduaciones de la escala y mirar directamente a las designaciones de la gama de ASTM para acelerar el proceso de medición. ¡AVISO! La espesura del vidrio actual que usted mide puede ser menos que las designaciones tradicionales usadas en la gama estándar de ASTM. Por ejemplo, note que 1/4" tradicional cristal está actualmente más cercano a 7/32" pulgadas en espesura.

### Indicador de los Estándares de ASTM

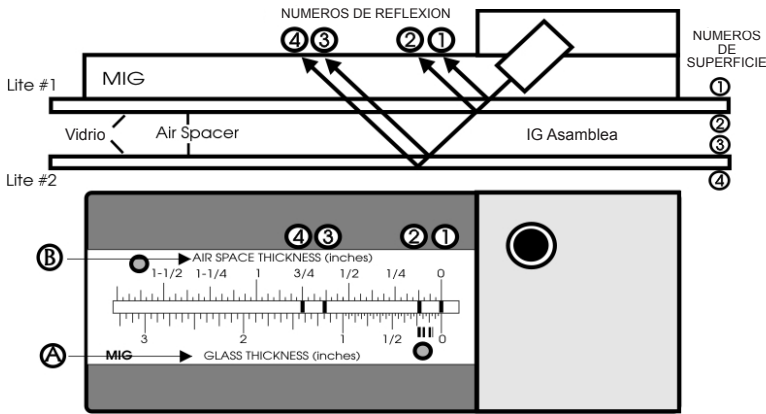


745 Capital Commons Drive  
Toledo, Ohio 43615 USA  
PHONE: (419) 861-1030  
FAX: (419) 861-1031  
www.EDTM.com  
Email: sales@edtm.com

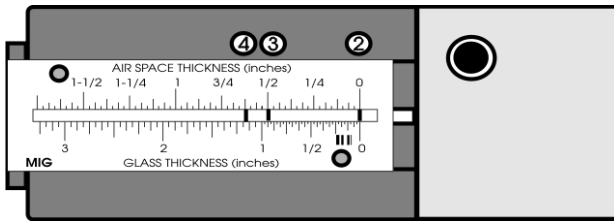
### GUARDE EL BORDE COMPETITIVO CON LOS PRODUCTOS DE EDTM, INC.

Medidores del laser para medir el vidrio y el espacio de aire, detectores de vidrios templados, Detectores de Capa Low-E, SHGC, solares, visibles, y UV, medidores de la resistencia de hoja de 4 puntos, detectores laterales de la ostaño, detectores de capa autolimpiable, equipo de ventas, pistolas midedoras de temperatura y accesorios para el equipo de ventas.

## MEDIDA DEL ESPESURA DEL VIDRIO(HOJA #1)



La escala inferior\* (el punto de referencia A) se utiliza para medir la espesura del vidrio y la escala superior (punto de referencia "B") se utiliza para medir el espacio de aire. Observe por favor que la escala superior (punto de referencia "B") está utilizada para medir el espacio de aire. Observe por favor que las escalas son diferentes. **NO TRATE DE UTILIZAR la escala incorrecta para tomar una medida.** El método mejor de medir es por medio directo con el montaje de IG. En otras palabras, mide la espesura de la hoja #1 primero, en seguida lea el espacio de aire, y finalmente lea la espesura de la hoja #2. Para comenzar, verifique que la reflexión 1 está alineada con el "punto cero". La reflexión 1 representa la superficie superior del primera hoja de vidrio, y la reflexión 2 representa el fondo del la primera hoja de vidrio. Una vez que se alinee el punto cero, usted puede comenzar a medir. La distancia entre la reflexión 1 y 2 es la espesura de la primera hoja de vidrio, según la escala de la ESPESURA DE VIDRIO. El ejemplo demuestra una espesura de aproximadamente 7/32". Con respecto al indicador de los estándares de ASTM, observe por favor que esto cae en la gama aceptable para la espesura de vidrio del 1/4" pulgada.

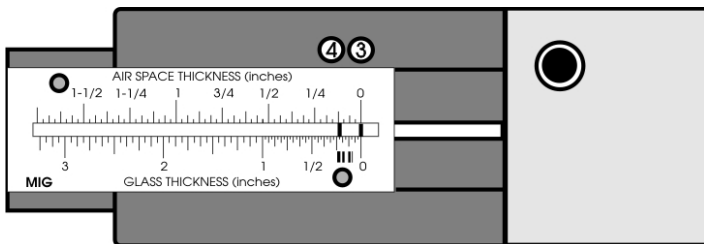


## MEDIDA DE LA ESPESURA DE AIRE

Para medir el espacio de aire, resbala la escala entera del conjunto corredizo hacia la izquierda y alinean la reflexión 2 con el punto cero. Una vez que esté alineado, usted puede medir la espesura del espacio de aire usando la escala superior. La reflexión 3 representa la superficie superior de la segunda hoja de vidrio. La distancia entre la reflexión 2 y 3 representa el espacio de aire, según lo indicado en la escala de la ESPESURA DEL ESPACIO DE AIRE. El ejemplo demuestra un espacio de aire de aproximadamente 1/2 pulgada.

### ¡ADVERTENCIA!

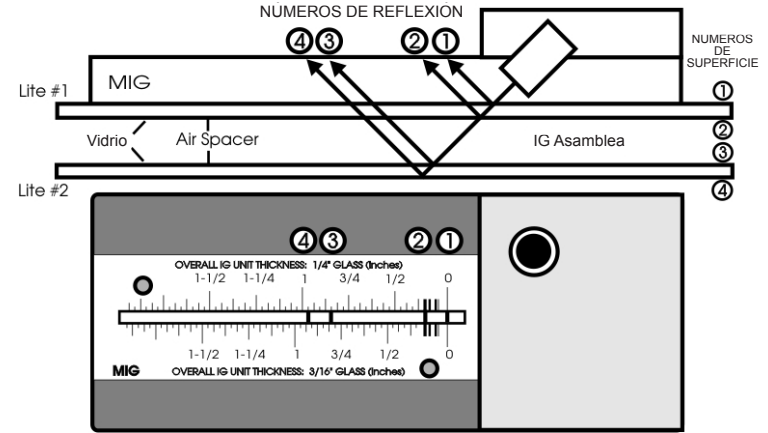
Para obtener las medidas más exactas de la espesura del espacio de aire, el operador debe probar cerca del borde del montaje de IG. Está enterado que muchas montajes de IG pueden ceder hacia adentro o arquear al exterior debido a las diferencias de la presión de aire dentro de la ventana en comparación con la presión atmosférica del exterior. Si una ventana desvía hace al interior o exterior, la espesura del espacio de aire en el centro de la unidad de IG diferenciará a la espesura cerca del borde. La cantidad menor de desviación ocurrirá cerca de los bordes del vidrio cerca la barra del espaciador. También es un método excelente para comprobar desviación en montajes de IG en la fabrica y el sitio de trabajo.



## LA MEDIDA DE LA ESPESURA DEL VIDRIO (HOJA #2)

Para medir la espesura de la segunda hoja de vidrio, resbala al conjunto corredizo entero hacia la izquierda, para alinear el punto cero con la reflexión 3. La reflexión 4 representa el fondo de la segunda hoja de vidrio. La distancia entre la reflexión 3 y 4 es la espesura de la segunda hoja de vidrio. Asegúrese de utilizar la escala de la ESPESURA DEL VIDRIO cuando mide la espesura de vidrio.

## LA MEDIDA DE LA ESPESURA TOTAL DE UN MONTAJE DE IG



Para utilizar la escala de espesura total de un montaje IG, el operador debe primero verificar la espesura de vidrio que está en el montaje de IG. Para probar esto, el operador puede utilizar la escala de la espesura del vidrio y del espacio de aire, o puede utilizar el indicador de los estándares de ASTM que está situado en la tapa y el fondo de la escala de espesura total de un montaje de IG. Para utilizar esto, simplemente alinee el punto cero según lo descrito previamente. Con los indicadores de ASTM, mida la espesura de ambas hojas de vidrio en el montaje de IG. Para utilizar las escalas de espesura total, ambas hojas de vidrio se deben estar en la misma designación de espesura. Es decir, si usted tiene un montaje de IG que tiene de espesura en hoja #1 3/16" pulgadas, y en la segunda hoja una espesura de 1/4" pulgadas, usted **NO PUEDE** utilizar esta escala. ¡Ambos hojas deben ser lo mismo!

Para medir la espesura total de un montaje de IG, alinee el punto cero. Verifique que el la espesura del vidrio de el montaje de IG empareja a la escala que usted ha instalado en el conjunto corredizo. Con la escala correcta de la espesura, mide la distancia entre la reflexión 1 y la reflexión 4. Éste es la espesura total de la unidad de IG en el montaje probado.

El ejemplo arriba ilustra una unidad de IG construida de hojas de vidrio de 1/4" pulgada. La espesura total de el montaje de IG es 31/32", según la escala de ESPESURA TOTAL del MONTAJE IG para vidrio de 1/4" pulgadas.

## APLICACIONES

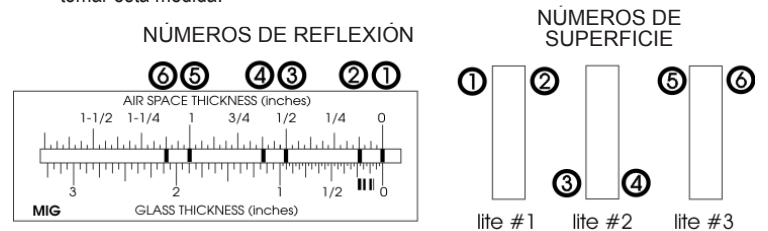
Los usos del instrumento se han probado con éxito en una variedad de combinaciones de vidrio. La lista siguiente incluye los varios tipos de vidrio que se han probado con éxito: Vidrio flotador de una hoja, montajes de IG (esmaltada++, doble, triple y cuádruple vidrio), clara, Low-E, templado, reflexivo, bronceado, teñido, laminado, a prueba de balas, espejos, además de otros. Las explicaciones siguientes definen los usos comunes.

### Hojas singulares de Vidrio Flotador y Montajes de IG

Ver "La Medida de la Espesura de Vidrio y del Espacio de Aire: Montajes de IG".

### Montajes Triple Esmaltadas de IG

Los montajes triple esmaltadas de IG se miden de manera semejante como las montajes esmaltadas doble de IG. La única diferencia será 2 reflexiones adicionales del láser. Estas dos reflexiones adicionales representan la tercera hoja de vidrio. La distancia entre la reflexión 4 y 5 es el segundo espacio de aire (entre la hoja 2 y la hoja 3), según lo medido en la escala del espacio de aire. La distancia entre la reflexión 5 y 6 corresponde a la espesura del vidrio de la tercera hoja. Cerciorase utilizar la escala de la espesura de vidrio para tomar esta medida.

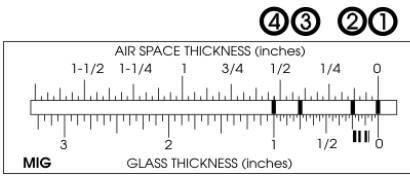


### Vidrio laminado y Vidrio Antibalas

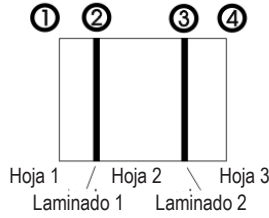
El vidrio laminado y antibalas se mide de manera igual. Use solamente la escala de la espesura de vidrio para estas medidas. Una reflexión débil del láser ocurrirá en cada substrato laminado. Esto permite que usted mida la espesura de cada hoja de vidrio en el montaje laminada, así como la espesura total de el vidrio laminada. La distancia entre la reflexión 1 y 2 es la espesura de hoja 1. La distancia entre 2 y 3 es la espesura de hoja 2. La distancia entre 3 y 4 representa la espesura de hoja 3. La distancia entre la reflexión 1 y 4 rendirá la espesura total de la el montaje laminado. Todas estas medidas utilizan la escala de la espesura de vidrio. La ilustración demuestra dos hojas de vidrio laminado de 1/4" pulgadas en ambos lados de una hoja de vidrio de 1/2" pulgadas. La espesura total del montaje laminada es 1 pulgada. Si la escala regular no demuestra las capas laminadas internas, usted puede cambiar a la escala

“PARA LAMINADA O LA LUZ DEL SOL BRILLANTE” (“FOR LAMINATED OR BRIGHT SUNLIGHT”). Esta escala es provechosa para ver las reflexiones laminadas débiles de las capas internas. Al usar esta escala, usted necesitará inclinar su cabeza a un ángulo de 45 grados para ver las reflexiones.

NÚMEROS DE REFLEXIÓN



NÚMEROS DE SUPERFICIE



**Los Espejos y el Vidrio Reflexivo**

Esta instrumento es capaz de medir la espesura del espejo así como el cristal reflexivo estándar usado en la industria de la ventana. Se recomienda que el usuario del instrumento toma medidas en varias superficies reflexivas antes del uso en el sitio laboral. Esto ayudará al usuario a entender mejor las capacidades del producto.

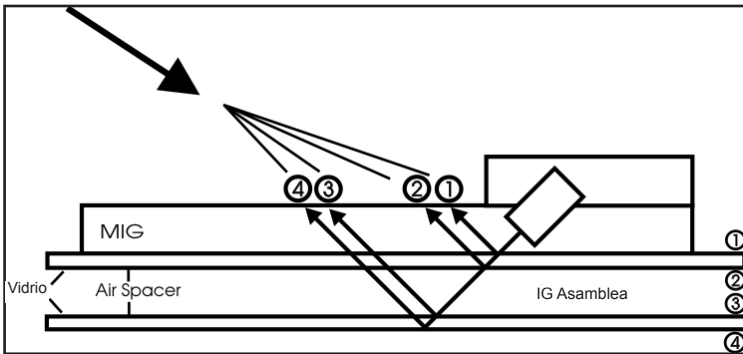
Para los espejos y hojas singulares de vidrio reflexivo, se recomienda que toma las medidas del lado reflexivo del vidrio. Medidas tomadas del lado clara hará aparecer reflexiones adicionales que pueden confundir al operador. Las medidas del lado reflexivo reducirán las reflexiones adicionales y permitirán una medida de la espesura del vidrio más fácil. Debido a la intensidad de la reflexión del láser de la superficie reflexiva (superficie 1), la segunda reflexión (superficie 2) aparecerá más débil que normal.

Para los montajes aisladores que contienen el cristal reflexivo, se recomienda otra vez tomar medidas del lado reflexivo de la unidad de IG. Es decir coloque el instrumento en la hoja del vidrio que tiene la capa reflexiva. Es posible tomar pruebas de el lado de la montaje de IG sin capa reflexiva pero reflexiones adicionales pueden ocurrir. Como siempre, es importante que el usuario toma varios medimientos para obtener una comprensión mejor del láser.

**CONDICIONES DE OPERACIÓN**

**LISURA:** Antes de cada medimiento, verifique que el instrumento se esté reclinando plano contra la superficie del vidrio. No ponga ningunas artículos debajo del instrumento al tomar medimientos. La inclinación de el instrumento de cualquier cantidad afectará al contrario la exactitud de los medimientos.

**AMBIENTES DE LUZ BRILLANTE:** Este instrumento permitirá que el operador tome medidas en casi todas las condiciones de luz. Si el operador está trabajando en luz brillante extrema, bloquear la escala con su mano puede ayudar a mejorar el contraste del láser en la escala. Si sombrear el área de la escala no sirve o no es posible, hay una escala que se diseña específicamente para las situaciones de luz brillante. Aplique la escala que se denote “PARA LAMINADO O LA LUZ DEL SOL BRILLANTE” (“FOR LAMINATED OR BRIGHT SUNLIGHT”). Con esta escala en lugar, será necesario ver las reflexiones del láser en el mismo plano que las reflexiones. Es decir mueva su cabeza para ver las reflexiones a un ángulo de 45 grados, según las indicaciones de la ilustración siguiente. Las reflexiones del láser deben aparecer más brillantes con esta escala.



**PRECAUCIONES DE SEGURIDAD Y MANTENIMIENTO**

Cuando se mantiene sin uso se recomienda que el MIG y las escalas se mantienen adentro el estuche protector.

Es muy importante que el fondo de el instrumento está mantenido limpio y libre de cualquier suciedad. Cualquier acumulación en el fondo puede causar al instrumento a la roca y/o no sentirse completamente contra el vidrio, causando medidas incorrectas. Por lo tanto examine y limpie rutinariamente el fondo de el instrumento.



Este producto emite un rayo láser del lado trasero. NI NUNCA apunte el láser a los ojos. SIEMPRE CERCIOARSE que nadie podría mirar directamente al láser.

Sobre espejos y los vidrios reflexivos, esté enterado que una porción significativa de la intensidad del láser está reflejada detrás en la dirección de la escala que resbala. Si sacan al conjunto corregido perceptiblemente, la escala y el conjunto corregido ya no bloquearán la reflexión del láser de la primera superficie (reflexiva).

El MIG esta alimentado por medio de dos pilas alcalinas del AAA. Si el láser empieza a fallar (perder su brillantez), reemplaze las pilas con nuevas pilas alcalinas. Para tener acceso a las pilas, quite los cuatro tornillos situados en la superficie superior del instrumento. No toque el láser o ninguna otra artículos encontrada dentro de la cubierta. Reemplace las pilas y la cubierta. Sea seguro instalar las pilas correctamente (polaridad +/-). La instalación de las pilas al revés puede causar daño permanente al láser y no será cubierta por la garantía del producto.

SOCIEDAD AMERICANA PARA APROBACIÓN Y LOS MATERIALES (ASTM)						
Tolerance specifications for flat glass						
TRADICIONAL DESIGNACIÓN	DESIGNACIÓN		TOLERANCIA			
	mm	pulgadas	mm min.	mm max.	pulgadas min.	pulgadas max.
3/32 in. (singulares)	2.5	0.09	2.16	2.57	0.085	0.101
1/8 in. (doble)	3.0	0.12	2.92	3.40	0.115	0.134
5/32 pulgadas	4.0	0.16	3.78	4.19	0.149	0.165
3/16 pulgadas	5.0	0.19	4.57	5.05	0.180	0.199
7/32 pulgadas	5.5	0.21	5.08	5.54	0.200	0.218
1/4 pulgadas	6.0	0.23	5.56	6.20	0.219	0.244
5/16 pulgadas	8.0	0.32	7.42	8.43	0.292	0.332
3/8 pulgadas	10.0	0.39	9.02	10.31	0.355	0.406

**GUARANTÍA**

El fabricante garantiza todos los modelos del GC1500 para estar libre de defectos en material y ejecución bajo uso normal y servicio según lo especificado dentro del manual del operador. El fabricante reparará o sustituirá la unidad dentro de doce (12) meses a partir de la fecha original del envío después de que la unidad se vuelva a la fábrica de los fabricantes, pagada por adelantado por el usuario, y la unidad se divulga a la satisfacción de los fabricantes, para ser así defectuoso. Esta garantía no se aplicará a ninguna unidad que haya sido reparada o alterada con excepción por del fabricante. Las provisiones ya mencionadas no prolongan el período original de la garantía de la unidad que ha sido reparada o sustituida por el fabricante. Las pilas no son cubiertas por la garantía.

El fabricante no asume ninguna responsabilidad por los daños consecuentes de la clase con el uso o el uso erróneo del producto GC2001 del comprador o de otros. No se expresa ni se implica ningunas otras obligaciones o responsabilidades. Todas las demandas del daños o de la responsabilidad serán limitadas a una cantidad igual al precio de venta del MG1500, según lo establecido por el fabricante.